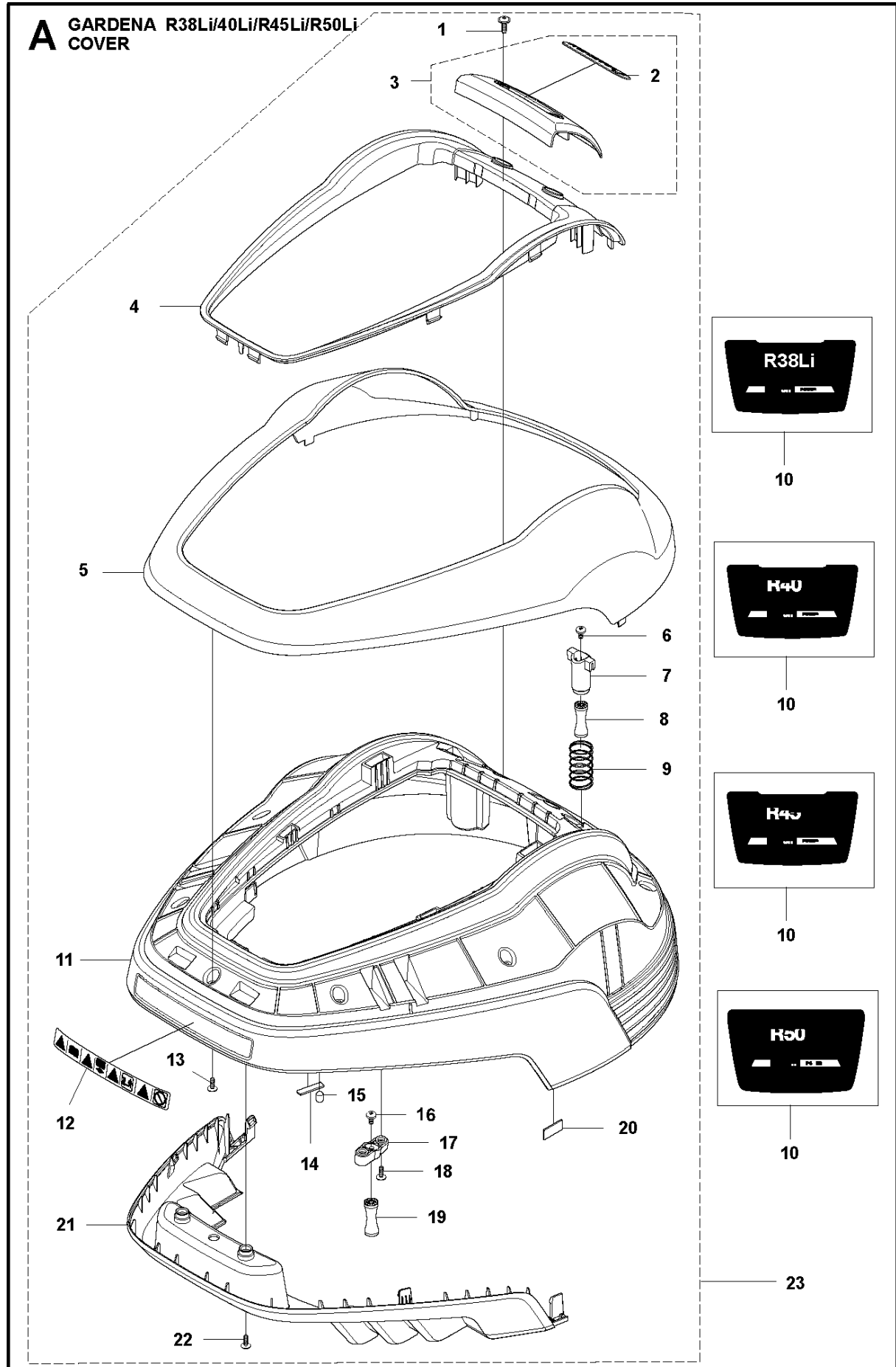




# SPARE PARTS LIST

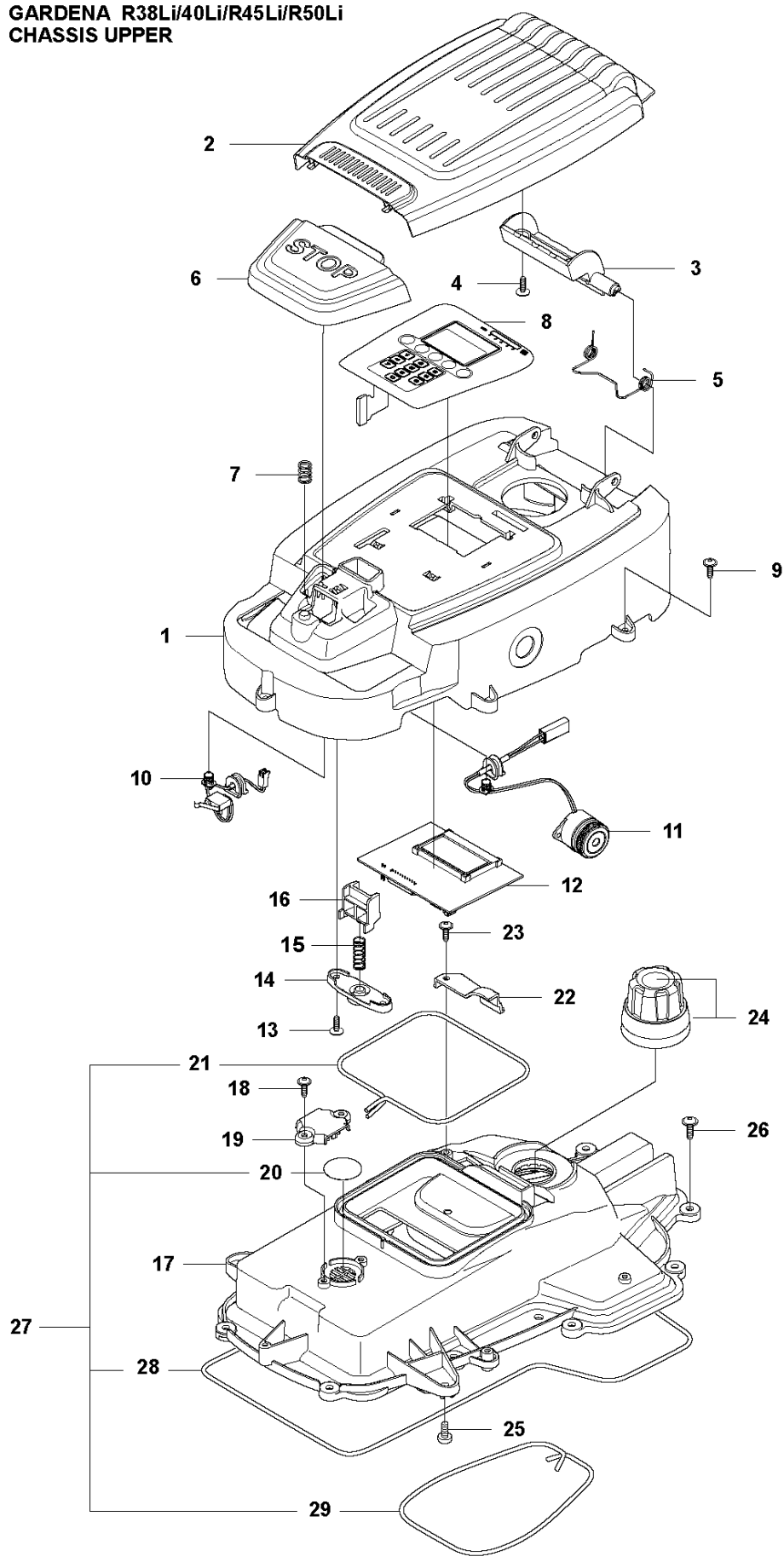
ROBOTIC LAWN MOWERS

R50Li, 2019-

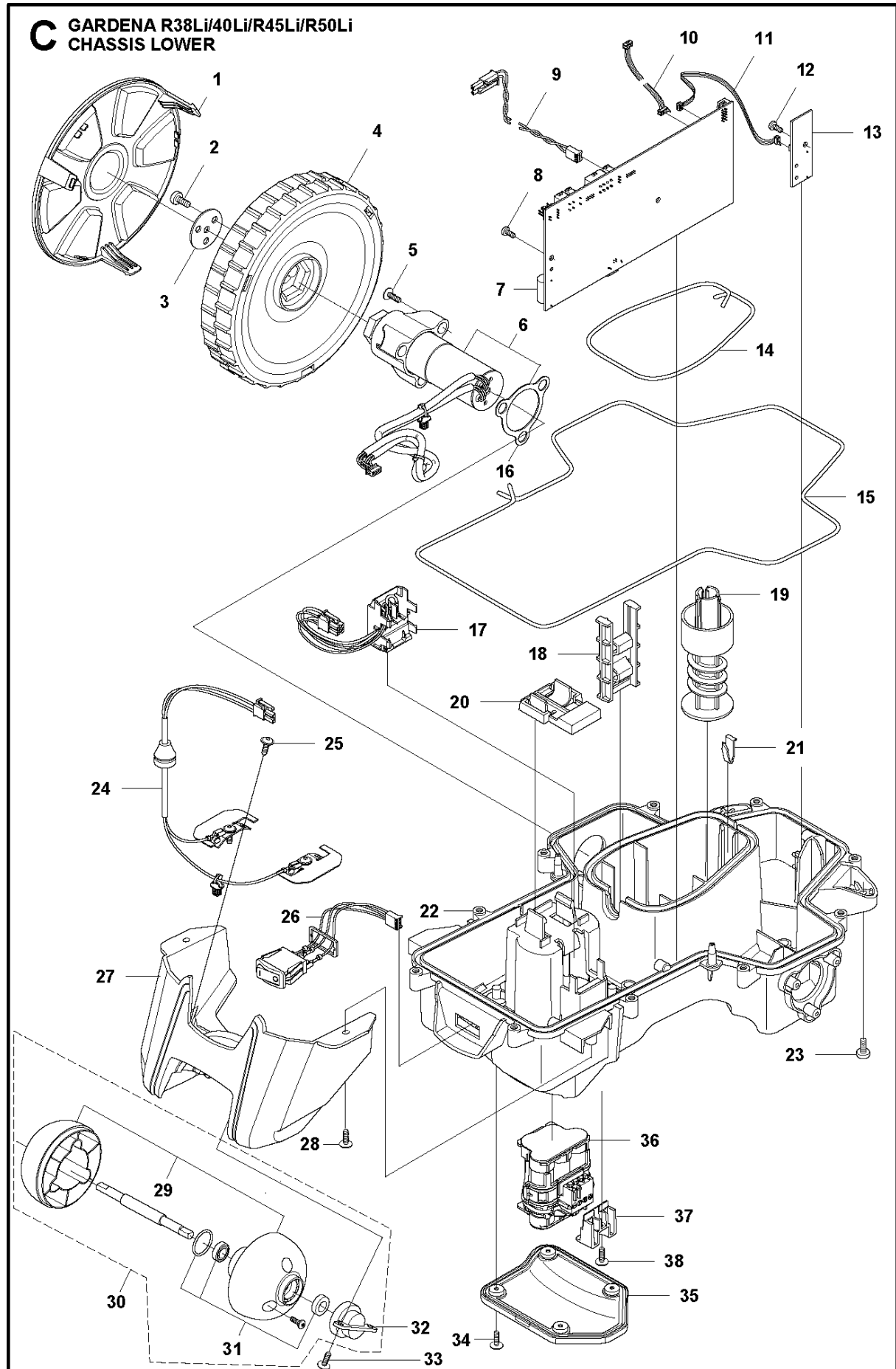


| Ref | Artikelnr    | Beskrivning   | Anmärkning                               | ANT SATS<br>AL |
|-----|--------------|---------------|--|----------------|
| 1   | 575 54 33-14 | SCREW         | Screw, Grey (14 mm)                      | 2              |
| 2   | 510 31 03-01 | LOGOTYP       | Decal, Gardena Logotype                  | 1              |
| 3   | 579 39 21-05 | PLATE KIT     | Logo, Plate KIT incl. Logo               | 1              |
| 4   | 577 70 76-04 | RAM           | Frame                                    | 1              |
| 5   | 577 70 73-04 | KÅPA          | Cover                                    | 1              |
| 6   | 576 21 39-01 | SKRUV ITXPANM | Screw                                    | 2              |
| 7   | 574 46 90-02 | FÄSTE         | Bracket, Lift Sensor                     | 2              |
| 8   | 574 46 91-02 | DAMPER        | Rubber Damper                            | 2              |
| 9   | 574 48 51-02 | FJÄDER        | Spring, Lift Sensor                      | 2              |
| 10  | 587 04 35-03 | DEKAL         | Decal, R38Li                             | 1              |
| 10  | 580 92 80-01 | DEKAL         | Decal, R40Li                             | 1              |
| 10  | 581 96 66-01 | DEKAL         | Decal, R45Li                             | 1              |
| 10  | 587 04 35-01 | DEKAL         | Decal, R50Li                             | 1              |
| 11  | 579 39 17-02 | KIT           | Main Body                                | 1              |
| 12  | 586 35 97-01 | DEKAL         | Warning Label                            | 1              |
| 13  | 575 54 33-14 | SCREW         | Screw, Grey (14 mm)                      | 7              |
| 14  | 576 03 01-01 | PLATTA        | Plate, Collision Sensor                  | 1              |
| 15  | 576 18 33-01 | MAGNET        | Magnet, Collision Sensor                 | 1              |
| 16  | 576 21 39-01 | SKRUV ITXPANM | Screw                                    | 2              |
| 17  | 575 41 60-02 | SUPPORT CLAMP | Support Clamp                            | 2              |
| 18  | 575 54 33-14 | SCREW         | Screw, Grey (14 mm)                      | 4              |
| 19  | 574 46 91-02 | DAMPER        | Rubber Damper                            | 2              |
| 20  | 576 18 32-02 | MAGNET        | Magnet, Lift Sensor                      | 1              |
| 21  | 577 70 65-02 | STÖTFÅNGARE   | Bumper, Rear                             | 1              |
| 22  | 575 54 33-14 | SCREW         | Screw, Grey (14 mm)                      | 2              |
| 23  | 577 95 53-11 | BODY SYSTEM   | Cover KIT, Complete excl.<br>Model Decal | 1              |

**B** GARDENA R38Li/40Li/R45Li/R50Li  
CHASSIS UPPER

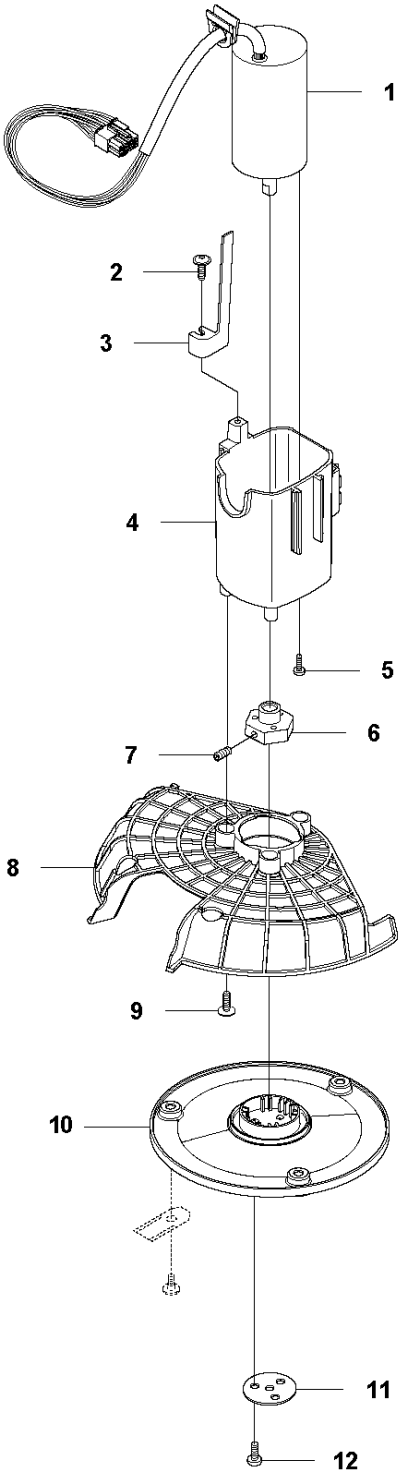


| Ref | Artikelnr    | Beskrivning   | Anmärkning  | ANT SATS<br>AL |
|-----|--------------|---------------|---|----------------|
| 1   | 579 39 19-03 | TÄCKLOCKSSATS | Display Cover KIT incl. Sealing & Keyboard  | 1              |
| 2   | 577 70 72-03 | KÅPA          | Cover, Height Adjustment  | 1              |
| 3   | 577 70 78-01 | GÅNGJÄRN      | Hinge, Height Adjustment Lid  | 1              |
| 4   | 575 54 33-14 | SCREW         | Screw, Grey (14 mm)   | 2              |
| 5   | 578 44 52-01 | FJÄDER        | Spring, Height Adjustment Lid   | 1              |
| 6   | 577 70 66-01 | KNAPP         | Stop Button   | 1              |
| 7   | 574 48 70-01 | FJÄDER        | Spring, Stop Button   | 1              |
| 8   | 586 94 56-01 | TANGENTBORD   | Keyboard  | 1              |
| 9   | 575 54 33-14 | SCREW         | Screw, Grey (14 mm)   | 5              |
| 10  | 574 48 03-01 | BRYTARE       | Micro Switch, Stop Button   | 1              |
| 11  | 574 47 59-01 | BUZZER        | Buzzer, Display Cover   | 1              |
| 12  | 588 44 19-01 | KRETSKORT     | Display/MMI, Circuit Board  | 1              |
| 13  | 575 54 33-14 | SCREW         | Screw, Grey (14 mm)   | 2              |
| 14  | 575 41 58-01 | FJÄDERHÅLLARE | Spring Holder, Stop Button  | 1              |
| 15  | 576 24 22-01 | FJÄDER        | Spring Lock, Stop Button  | 1              |
| 16  | 575 40 90-01 | LÅS           | Lock, Stop Button   | 1              |
| 17  | 579 39 20-02 | KIT           | Chassis Upper KIT incl. Sealing & Air Filter  | 1              |
| 18  | 575 54 33-14 | SCREW         | Screw, Grey (14 mm)   | 2              |
| 19  | 576 69 70-01 | KÅPA          | Cover, Air Filter   | 1              |
| 20  | 577 75 37-01 | LUFTFILTER    | Air Filter KIT (10 pcs)   | 1              |
| 21  | 574 87 47-04 | TÄTNINGSLIST  | Sealing Strip (1 pcs, 4 mm)   | 1              |
| 22  | 576 05 39-01 | KÅPA          | Cover, Height Indicator   | 1              |
| 23  | 575 54 33-14 | SCREW         | Screw, Grey (14 mm)   | 1              |
| 24  | 579 39 22-01 | KIT           | Knob, Height Adjustment KIT incl. Knob & Sticker  | 1              |
| 25  | 576 21 39-01 | SKRUV ITXPANM | Screw   | 2              |
| 26  | 574 45 01-01 | SKRUV ITXPANT | Screw   | 10             |
| 27  | 588 40 70-01 | SEAL KIT      | Seal KIT incl. Sealing Strip Chassis (1 pcs), Sealing Strip Short (2 pcs), Air Filter (1 pcs) | 1              |
| 28  | 574 87 47-03 | TÄTNINGSLIST  | Sealing Strip, Chassis (1 pcs, 4 mm)  | 1              |
| 29  | 574 87 47-04 | TÄTNINGSLIST  | Sealing Strip (1 pcs, 4 mm)   | 1              |



| Ref | Artikelnr    | Beskrivning    | Anmärkning                              | ANT SATS<br>AL |
|-----|--------------|----------------|---|----------------|
| 1   | 577 70 79-01 | NAVKAPSEL      | Hub Cap, Drive Wheel                    | 2              |
| 2   | 576 21 39-02 | SKRUV ITXPANM  | Screw                                   | 6              |
| 3   | 577 09 32-01 | BRICKA         | Washer, Drive Wheel                     | 2              |
| 4   | 574 46 51-04 | HJUL           | Wheel, Drive Wheel                      | 2              |
| 5   | 575 54 33-14 | SCREW          | Screw, Grey (14 mm)                     | 6              |
| 6   | 577 83 99-05 | HJUL MOTOR     | Wheel Motor KIT incl. Sealing           | 2              |
| 7   | 588 62 88-03 | KRETSKORT      | Main Circuit Board (MCB)                | 1              |
| 8   | 535 13 03-10 | SKRUV ITXPANT  | Screw (10 mm)                           | 2              |
| 9   | 576 22 02-01 | KABLAGE KPL    | Loom, Buzzer Extension                  | 1              |
| 10  | 588 83 27-01 | KABLAGE KPL    | Loom, Display                           | 1              |
| 11  | 588 90 12-01 | KABLAGE KPL    | Loom, Loop and Lift Sensor              | 1              |
| 12  | 535 13 03-10 | SKRUV ITXPANT  | Screw (10 mm)                           | 1              |
| 13  | 592 85 19-01 | KRETSKORT      | PCB Sensor Board                        | 1              |
| 14  | 574 87 47-04 | TÄTNINGSLIST   | Sealing Strip (1 pcs, 4 mm)             | 1              |
| 15  | 574 87 47-03 | TÄTNINGSLIST   | Sealing Strip, Chassis (1 pcs, 4 mm)    | 1              |
| 16  | 574 37 37-01 | PACKNING       | Sealing/Gasket, Motor Flange            | 2              |
| 17  | 574 47 98-01 | KABLAGE KPL    | Loom, Li-Ion Battery                    | 1              |
| 18  | 574 50 19-01 | STYRSKENA      | Guide Rail, Motor Bowl                  | 2              |
| 19  | 574 48 46-01 | SCREW          | Height Adjustment Screw                 | 1              |
| 20  | 575 40 82-01 | LÅS            | Lock, Battery Plug                      | 1              |
| 21  | 577 10 32-01 | LÅSFJÄDER      | Locking Spring                          | 1              |
| 22  | 577 84 62-03 | CHASSI         | Chassis Lower KIT, incl. Sealing        | 1              |
| 23  | 576 21 39-01 | SKRUV ITXPANM  | Screw                                   | 2              |
| 24  | 588 95 09-01 | KABLAGE KPL    | Loom, Charge Plate                      | 1              |
| 25  | 575 52 95-02 | SKRUV ITXPANTT | Screw, Grey (14 mm)                     | 2              |
| 26  | 579 70 87-01 | KABLAGE KPL    | Swith ON/OFF With Seal                  | 1              |
| 27  | 574 46 72-02 | HUS            | Housing, Rear Wheel                     | 1              |
| 28  | 575 54 33-14 | SCREW          | Screw, Grey (14 mm)                     | 3              |
| 29  | 583 85 39-02 | BAKHJUL        | Rear Wheel KIT                          | 1              |
| 30  | 578 27 51-03 | BAKHJUL        | Rear Wheel KIT Complete                 | 1              |
| 31  | 578 27 52-01 | LAGERSATS      | Bearing (X2), Sealing (X2), O-Ring (X1) | 1              |
| 32  | 577 71 50-01 | LAGERHUS       | Bearing Housing, Rear Wheel             | 2              |
| 33  | 575 54 33-14 | SCREW          | Screw, Grey (14 mm)                     | 4              |
| 34  | 574 45 01-01 | SKRUV ITXPANT  | Screw                                   | 4              |
| 35  | 574 46 73-01 | KÅPA           | Cover, Battery                          | 1              |
| 36  | 589 58 61-01 | BATTERI        | Battery, Lithium 18 v                   | 1              |
| 37  | 582 38 61-01 | FÄSTE          | Bracket                                 | 1              |
| 38  | 575 54 33-14 | SCREW          | Screw, Grey (14 mm)                     | 1              |

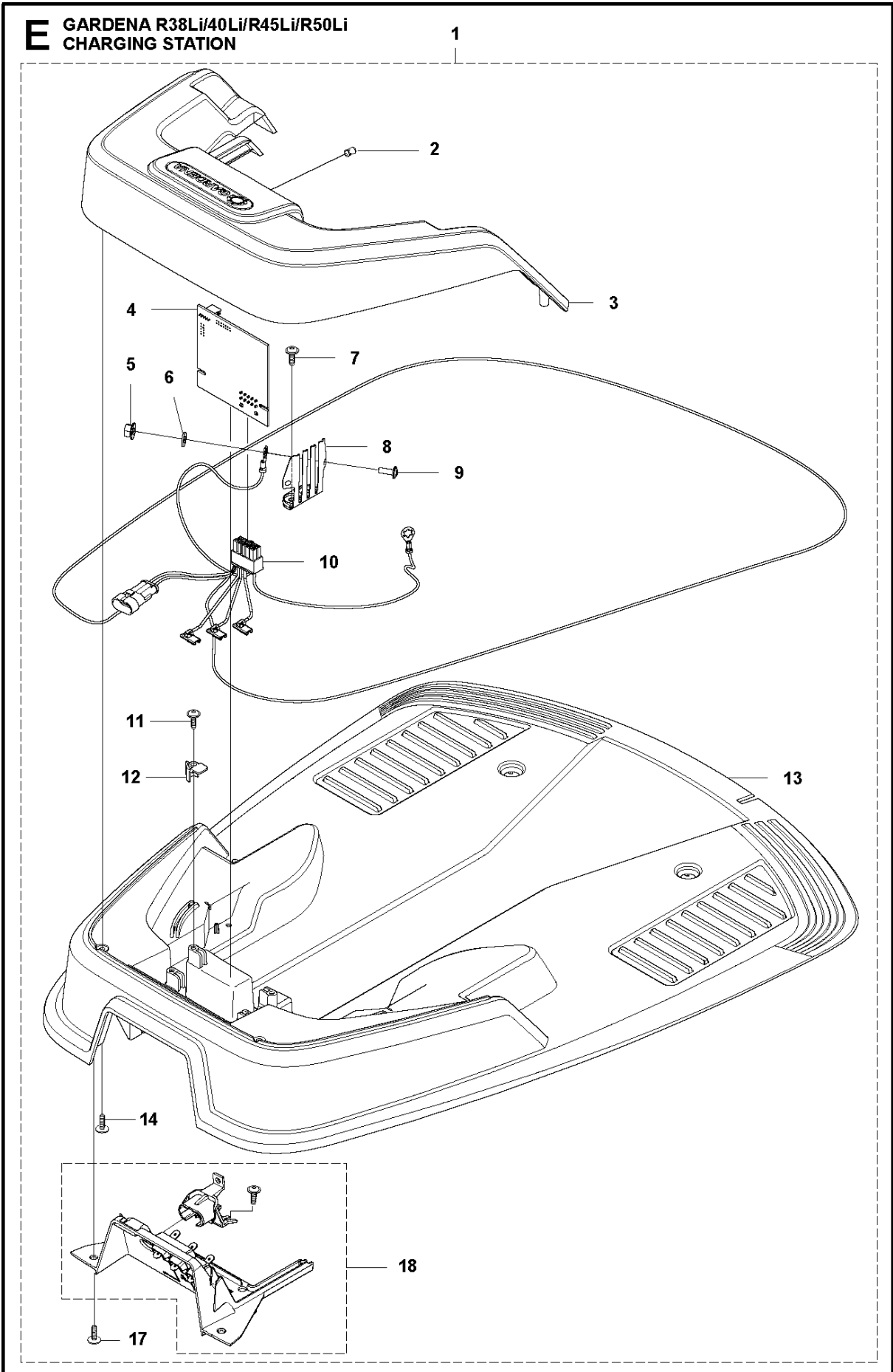
**D** GARDENA R38Li/40Li/R45Li/R50Li  
BLADE MOTOR & CUTTING EQUIPMENT





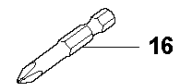
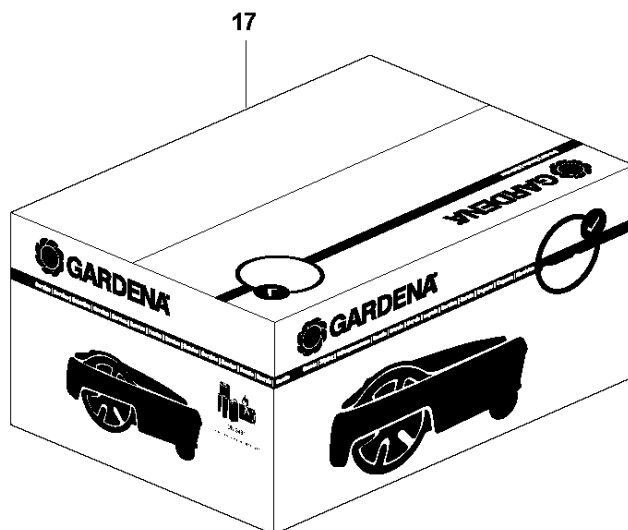
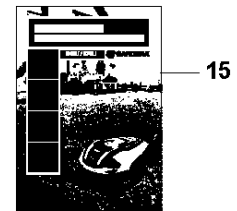
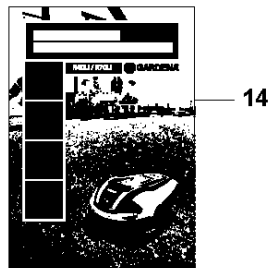
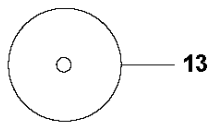
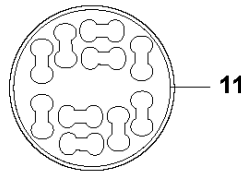
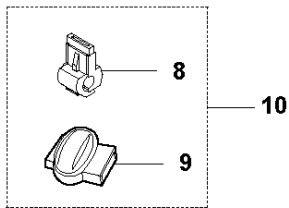
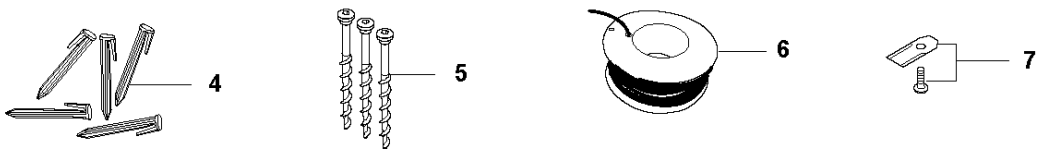
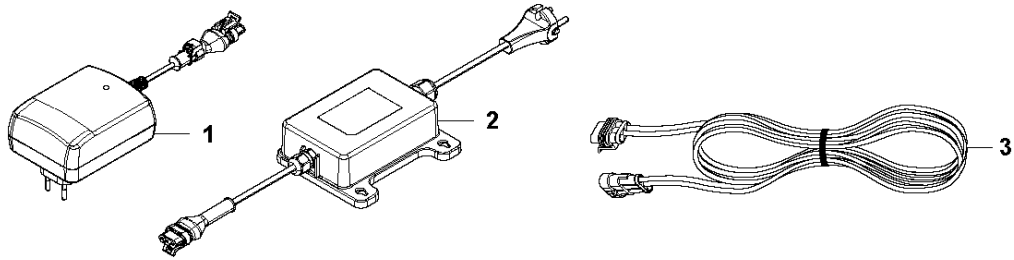
| Ref | Artikelnr    | Beskrivning      | Anmärkning          | ANT SATS<br>AL |
|-----|--------------|------------------|---------------------|----------------|
| 1   | 584 98 93-02 | MOTOR            | Cutting Motor       | 1              |
| 2   | 575 54 33-10 | SCREW            | Screw, Grey (10 mm) | 1              |
| 3   | 574 50 35-01 | HEIGHT INDICATOR | Height Indicator    | 1              |
| 4   | 581 02 03-01 | MOTORHUS         | Motor Housing       | 1              |
| 5   | 576 21 38-01 | SKRUV ITXPANM    | Screw M4x12         | 3              |
| 6   | 574 37 35-01 | NAV              | Hub, Cutting Motor  | 1              |
| 7   | 576 21 35-01 | SKRUV IHSETM     | Stop Screw          | 1              |
| 8   | 579 75 83-01 | SKYDD            | Guard, Cutting Disc | 1              |
| 9   | 575 54 33-14 | SCREW            | Screw, Grey (14 mm) | 3              |
| 10  | 574 48 71-01 | KNIVDISK         | Cutting Disc        | 1              |
| 11  | 577 09 32-01 | BRICKA           | Washer              | 1              |
| 12  | 576 21 38-01 | SKRUV ITXPANM    | Screw               | 3              |

**E** GARDENA R38Li/40Li/R45Li/R50Li  
CHARGING STATION



| Ref | Artikelnr    | Beskrivning        | Anmärkning                         | ANT SATS<br>AL |
|-----|--------------|--------------------|------------------------------------|----------------|
| 1   | 577 97 23-15 | LADDSTATION        | Charging Station, Gardena          | 1              |
| 2   | 590 21 72-01 | LINS               | Diode Lens                         | 1              |
| 3   | 584 61 83-02 | LADDSTATION        | Charging Station Cover,<br>Gardena | 1              |
| 4   | 592 90 94-01 | KRETSKORT          | Circuit Board, Charging<br>Station | 1              |
| 5   | 588 22 21-01 | HEXAGON NUT FLANGE | Nut Flange                         | 2              |
| 6   | 535 08 74-01 | BRICKA             | Washer                             | 2              |
| 7   | 575 54 33-14 | SCREW              | Screw, Grey (14 mm)                | 2              |
| 8   | 587 12 51-01 | KONTAKT            | Contacts, Charging Station         | 2              |
| 9   | 588 22 22-01 | SKRUV ITXPANM      | Screw                              | 2              |
| 10  | 582 38 10-01 | KABLAGE KPL        | Loom, Charging Station             | 1              |
| 11  | 575 54 33-14 | SCREW              | Screw, Grey (14 mm)                | 2              |
| 12  | 535 12 79-01 | FÄSTE              | Bracket                            | 2              |
| 13  | 581 55 19-03 | LADDSTATION        | Charging Station Base<br>Plate     | 1              |
| 14  | 575 54 33-14 | SCREW              | Screw, Grey (14 mm)                | 4              |
| 17  | 575 54 33-14 | SCREW              | Screw, Grey (14 mm)                | 4              |
| 18  | 582 35 64-01 | PANEL ASSY         | Guide Cover, Charging<br>Station   | 1              |

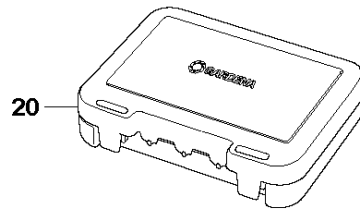
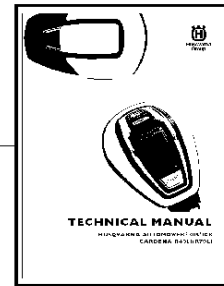
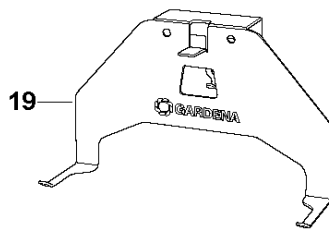
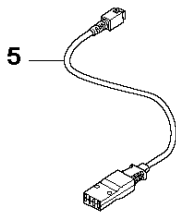
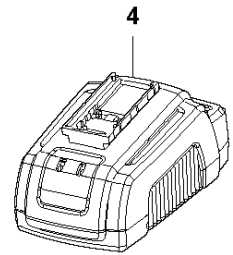
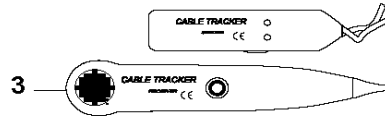
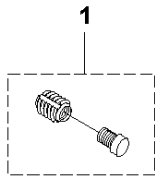
**F** GARDENA R38Li/40Li/R45Li/R50Li  
INSTALLATION ACCESSORIES



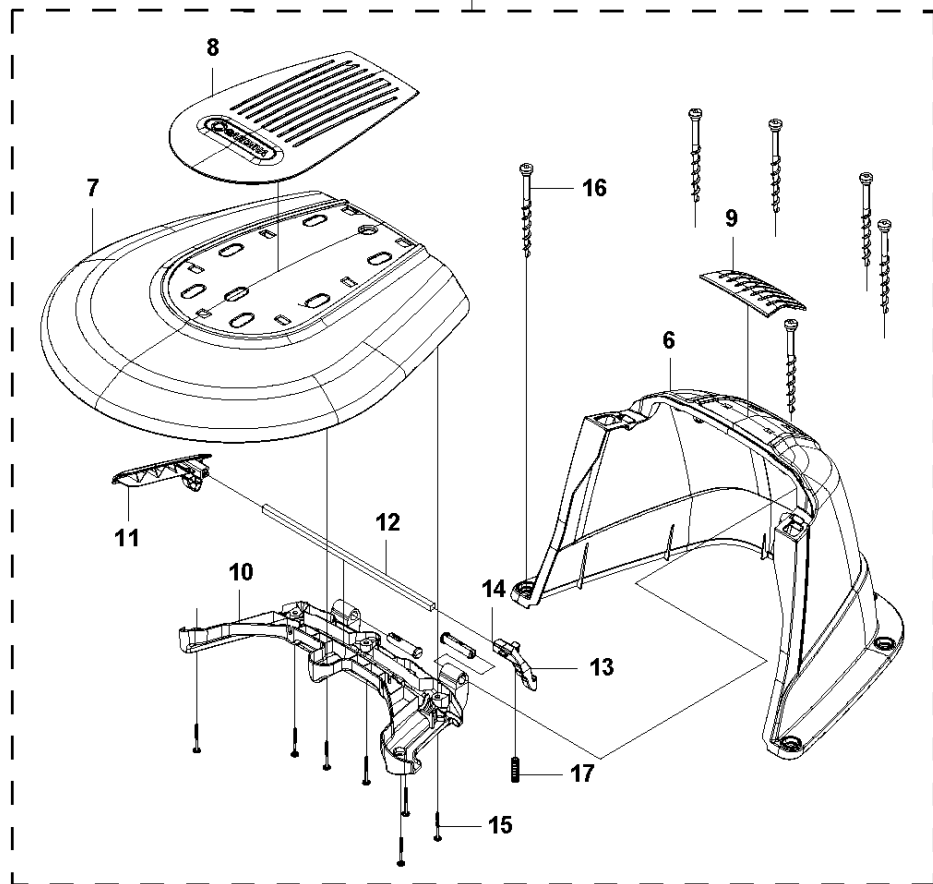
| Ref | Artikelnr         | Beskrivning    | Anmärkning                                       | ANT SATS<br>AL |
|-----|-------------------|----------------|--|----------------|
| 1   | 593 16 36-01      | DRIVENHET      | Power Supply Unit, EU                            | 1              |
| 2   | 584 86 26-02      | DRIVENHET      | Power Supply Unit, UK                            | 1              |
| 2   | 584 86 26-01      | DRIVENHET      | EU   | 1              |
| 2   | 590 44 22-03      | DRIVENHET      | Power Supply Unit, CH                            | 1              |
| 2   | 584 86 26-04      | DRIVENHET      | Power Supply Unit, CA                            | 1              |
| 2   | 584 86 26-05      | DRIVENHET      | Power Supply Unit, AU-NZ                         | 1              |
| 3   | 579 82 51-01      | KABLAGE KPL    | Low Voltage Cable (20 m)                         | 1              |
| 3   | 579 82 51-02      | KABLAGE KPL    | Low Voltage Cable (10 m)                         | 1              |
| 3   | 579 82 51-03      | KABLAGE KPL    | Low Voltage Cable (3 m)                          | 1              |
| 3   | 579 82 51-04      | KABLAGE KPL    | Low Voltage Cable (5 m)                          | 1              |
| 4   | 966 80 98-01      | KLAMMER        | Staples (100 pcs),<br>Gardena Blister Pack       | 1              |
| 4   | Gardena40902<br>0 | TBD            | Staples (100 pcs),<br>Gardena Blister Pack       | 1              |
| 5   | 575 23 86-02      | SCREW KIT      | Anchor Screw (3 pcs) incl.<br>Allen Key          | 1              |
| 6   | 967 10 48-01      | VAJER          | Loop Wire 50 m, Gardena<br>Blister Pack          | 1              |
| 6   | Gardena40582<br>0 | TBD            | Loop Wire 50 m, Gardena<br>Blister Pack          | 1              |
| 6   | 966 80 96-01      | VAJER          | Loop Wire (150 m),<br>Gardena Blister Pack       | 1              |
| 6   | Gardena40882<br>0 | TBD            | Loop Wire (150 m),<br>Gardena Blister Pack       | 1              |
| 7   | 580 48 91-01      | KNIV           | 4087-00.701.00                                   | 1              |
| 7   | 966 80 95-01      | KNIV           | Blades (9 pcs), Gardena<br>Blister Pack          | 1              |
| 7   | Gardena40872<br>0 | TBD            | Blades (9 pcs), Gardena<br>Blister Pack          | 1              |
| 7   | 577 60 65-05      | BLADE SET      | Long Life - Safety Blade,<br>45 pcs              | 1              |
| 7   | 577 60 66-04      | BLADE SET      | Long Life - Safety Blade,<br>300 pcs             | 1              |
| 8   | 535 12 90-01      | KOPPLING       | Loop Wire Connector<br>(1pcs)                    | 1              |
| 9   | 501 98 02-01      | KOPPLING       | Coupler (1pcs)                                   | 1              |
| 9   | 501 98 02-02      | KOPPLING       | Coupler KIT (50pcs)                              | 1              |
| 10  | 966 80 97-01      | KOPPLING       | 2 Connectors+6 Couplers,<br>Gardena Blister Pack | 1              |
| 10  | Gardena40892<br>0 | TBD            | 2 Connectors+6 Couplers,<br>Gardena Blister Pack | 1              |
| 10  | 579 04 81-01      | TILLBEHÖRSPÅSE | 5 Connectors+5 Couplers                          | 1              |
| 11  | 586 27 79-01      | ETIKETT        | Sticker, Cable Markers (10<br>pcs)               | 1              |
| 12  | 502 40 53-01      | DEKAL          | Label, Anti-Theft                                | 1              |
| 13  | 578 90 91-05      | DVD            | Installation DVD, Gardena                        | 1              |
| 14  | 115844301         | TBD            | Operator's Manual,<br>Swedish                    | 1              |
| 14  | 115844306         | TBD            | Operator's Manual, Danish                        | 1              |
| 14  | 115844311         | TBD            | Operator's Manual, Finnish                       | 1              |
| 14  | 115844321         | TBD            | Operator's Manual,<br>Norwegian                  | 1              |
| 14  | 115844326         | TBD            | Operator's Manual, English                       | 1              |
| 14  | 115844331         | TBD            | Operator's Manual, French                        | 1              |
| 14  | 115844336         | TBD            | Operator's Manual, Dutch                         | 1              |
| 14  | 115844341         | TBD            | Operator's Manual, Italian                       | 1              |
| 14  | 115844346         | TBD            | Operator's Manual,<br>Spanish                    | 1              |
| 14  | 115844351         | TBD            | Operator's Manual,<br>German                     | 1              |
| 14  | 115844358         | TBD            | Operator's Manual,<br>Hungarian                  | 1              |
| 14  | 115844359         | TBD            | Operator's Manual,<br>Portuguese                 | 1              |
| 14  | 115844361         | TBD            | Operator's Manual, Polish                        | 1              |
| 14  | 115844368         | TBD            | Operator's Manual,<br>Slovakian                  | 1              |

| Ref | Artikelnr    | Beskrivning | Anmärkning                            | ANT SATS<br>AL |
|-----|--------------|-------------|---------------------------------------|----------------|
| 14  | 115844384    | TBD         | Operator's Manual,<br>Slovenian       | 1              |
| 14  | 115844390    | TBD         | Operator's Manual, Czech              | 1              |
| 15  | 115 84 37-01 | QUICK GUIDE | Quick Guide, Swedish                  | 1              |
| 15  | 115843706    | TBD         | Quick Guide, Danish                   | 1              |
| 15  | 115843711    | TBD         | Quick Guide, Finnish                  | 1              |
| 15  | 115843721    | TBD         | Quick Guide, Norwegian                | 1              |
| 15  | 115843726    | TBD         | Quick Guide, English                  | 1              |
| 15  | 115843731    | TBD         | Quick Guide, French                   | 1              |
| 15  | 115843736    | TBD         | Quick Guide, Dutch                    | 1              |
| 15  | 115843741    | TBD         | Quick Guide, Italian                  | 1              |
| 15  | 115843746    | TBD         | Quick Guide, Spanish                  | 1              |
| 15  | 115843751    | TBD         | Quick Guide, German                   | 1              |
| 15  | 115843758    | TBD         | Quick Guide, Hungarian                | 1              |
| 15  | 115843759    | TBD         | Quick Guide, Portuguese               | 1              |
| 15  | 115843761    | TBD         | Quick Guide, Polish                   | 1              |
| 15  | 115843768    | TBD         | Quick Guide, Slovakian                | 1              |
| 15  | 115843784    | TBD         | Quick Guide, Slovenian                | 1              |
| 15  | 115843790    | TBD         | Quick Guide, Czech                    | 1              |
| 16  | 596 33 98-01 | VERKTYG     | Bit for Automower blades<br>MOQ 5 pcs | 1              |
| 17  | 595 96 34-01 | KARTONG     |                                       | 1              |

**G** GARDENA R38Li/40Li/R45Li/R50Li  
ACCESSORIES



18



| Ref | Artikelnr     | Beskrivning      | Anmärkning                         | ANT SATS<br>AL |
|-----|---------------|------------------|------------------------------------|----------------|
| 1   | 581 16 57-01  | GÄNGINSATS       | Metal Insert Repair KIT (4 pcs)    | 1              |
| 2   | 580 68 95-02  | DEKAL            | Warranty Seal 1pcs                 | 1              |
| 3   | 577 60 68-01  | TESTUTRUSTNING   | Loop Wire Interruption<br>Detector | 1              |
| 4   | 588 40 84-01  | LADDARE          | Quick Charger with Battery<br>Test | 1              |
| 5   | 588 20 26-01  | KABLAGE KPL      | Cable Quick Charger                | 1              |
| 6   | 587 91 63-01  | TÄCKLOCKSSATS    | Cover KIT Base                     | 1              |
| 7   | 587 91 64-01  | TÄCKLOCKSSATS    | Cover KIT Lid                      | 1              |
| 8   | 586 69 44-01  | KÅPA             | Cover Front Insert                 | 1              |
| 9   | 586 69 46-01  | KÅPA             | Cover Rear Insert                  | 1              |
| 10  | 586 69 42-01  | BALK             | Beam Hinge                         | 1              |
| 11  | 586 69 47-01  | HANDTAG          | Handle Left                        | 1              |
| 12  | 585 32 41-02  | STÅNG            | Steel Rod                          | 1              |
| 13  | 586 69 48-01  | SPÄRRHAKE        | Latch Right                        | 1              |
| 14  | 585 34 15-01  | GÄNGJÄRNSPINNE   | Hinge Pin                          | 2              |
| 15  | 575 54 33-14  | SCREW            | Screw                              | 8              |
| 16  | 575 23 86-01  | SCREW KIT        | Screw KIT                          | 1              |
| 17  | 580 51 14-01  | FJÄDER           | Spring Cap                         | 1              |
| 18  | 586 80 17-02  | HUS              | Gardena Housing                    | 1              |
| 19  | 967 10 46-01  | WALL HANGER      | WALL HANGER                        | 1              |
| 19  | Gardena404220 | TBD              | WALL HANGER                        | 1              |
| 20  | 967 10 45-01  | KOPPLING         | Cable Connector Protection         | 1              |
| 20  | Gardena405620 | TBD              | Cable Connector Protection         | 1              |
| 21  | 115 44 50-01  | VERKSTADSHANDBOK | TECHNICAL MANUAL,<br>Swedish       | 1              |
| 21  | 115 44 50-06  | VERKSTADSHANDBOK | TECHNICAL MANUAL, Danish           | 1              |
| 21  | 115 44 50-11  | VERKSTADSHANDBOK | TECHNICAL MANUAL, Finnish          | 1              |
| 21  | 115 44 50-21  | VERKSTADSHANDBOK | TECHNICAL MANUAL,<br>Norwegian     | 1              |
| 21  | 115 44 50-26  | VERKSTADSHANDBOK | TECHNICAL MANUAL,<br>English       | 1              |
| 21  | 115 44 50-31  | VERKSTADSHANDBOK | TECHNICAL MANUAL, French           | 1              |
| 21  | 115 44 50-36  | VERKSTADSHANDBOK | TECHNICAL MANUAL, Dutch            | 1              |
| 21  | 115 44 50-41  | VERKSTADSHANDBOK | TECHNICAL MANUAL, Italian          | 1              |
| 21  | 115 44 50-46  | VERKSTADSHANDBOK | TECHNICAL MANUAL,<br>Spanish       | 1              |
| 21  | 115 44 50-51  | VERKSTADSHANDBOK | TECHNICAL MANUAL,<br>German        | 1              |
| 21  | 115 44 50-56  | VERKSTADSHANDBOK | TECHNICAL MANUAL,<br>Russian       | 1              |
| 21  | 115 44 50-58  | VERKSTADSHANDBOK | TECHNICAL MANUAL,<br>Hungarian     | 1              |
| 21  | 115 44 50-61  | VERKSTADSHANDBOK | TECHNICAL MANUAL, Polish           | 1              |
| 21  | 115 44 50-62  | VERKSTADSHANDBOK | TECHNICAL MANUAL,<br>Romanian      | 1              |
| 21  | 115 44 50-63  | VERKSTADSHANDBOK | TECHNICAL MANUAL,<br>Estonian      | 1              |
| 21  | 115 44 50-64  | VERKSTADSHANDBOK | TECHNICAL MANUAL, Latvian          | 1              |
| 21  | 115 44 50-65  | VERKSTADSHANDBOK | TECHNICAL MANUAL,<br>Lithuanian    | 1              |
| 21  | 115 44 50-71  | VERKSTADSHANDBOK | TECHNICAL MANUAL, Greek            | 1              |
| 21  | 115 44 50-76  | VERKSTADSHANDBOK | TECHNICAL MANUAL,<br>Turkish       | 1              |
| 21  | 115 44 50-81  | VERKSTADSHANDBOK | TECHNICAL MANUAL,<br>Croatian      | 1              |
| 21  | 115 44 50-90  | VERKSTADSHANDBOK | TECHNICAL MANUAL, Czech            | 1              |