

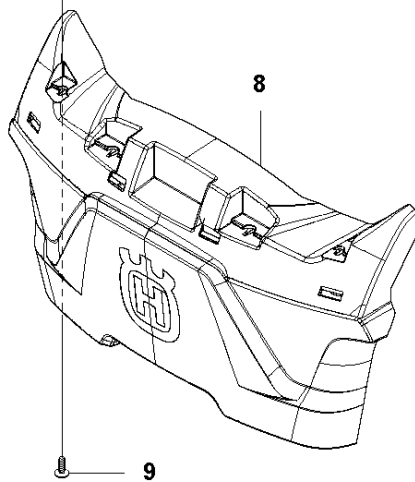
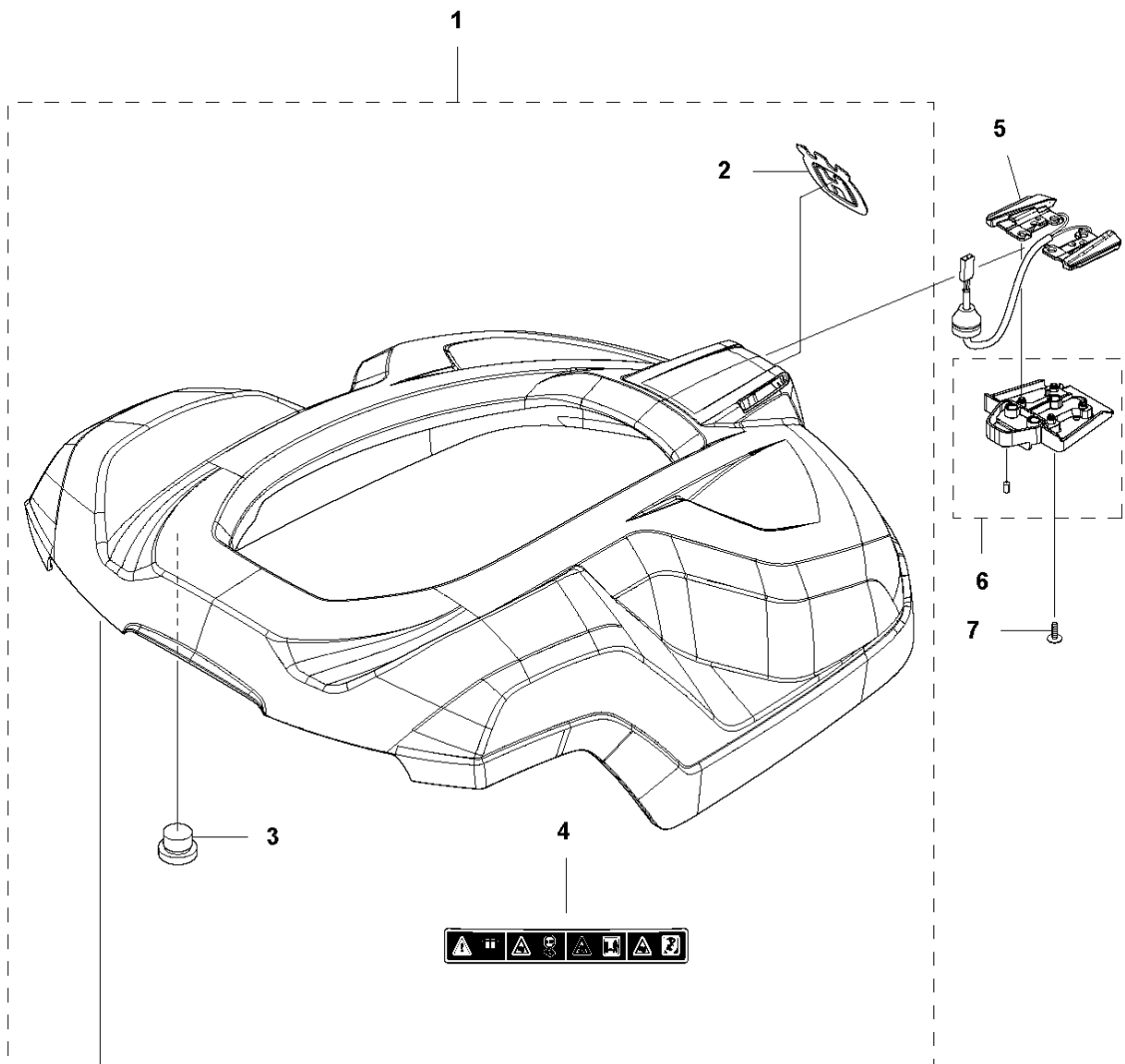


SPARE PARTS LIST

ROBOTIC LAWN MOWERS

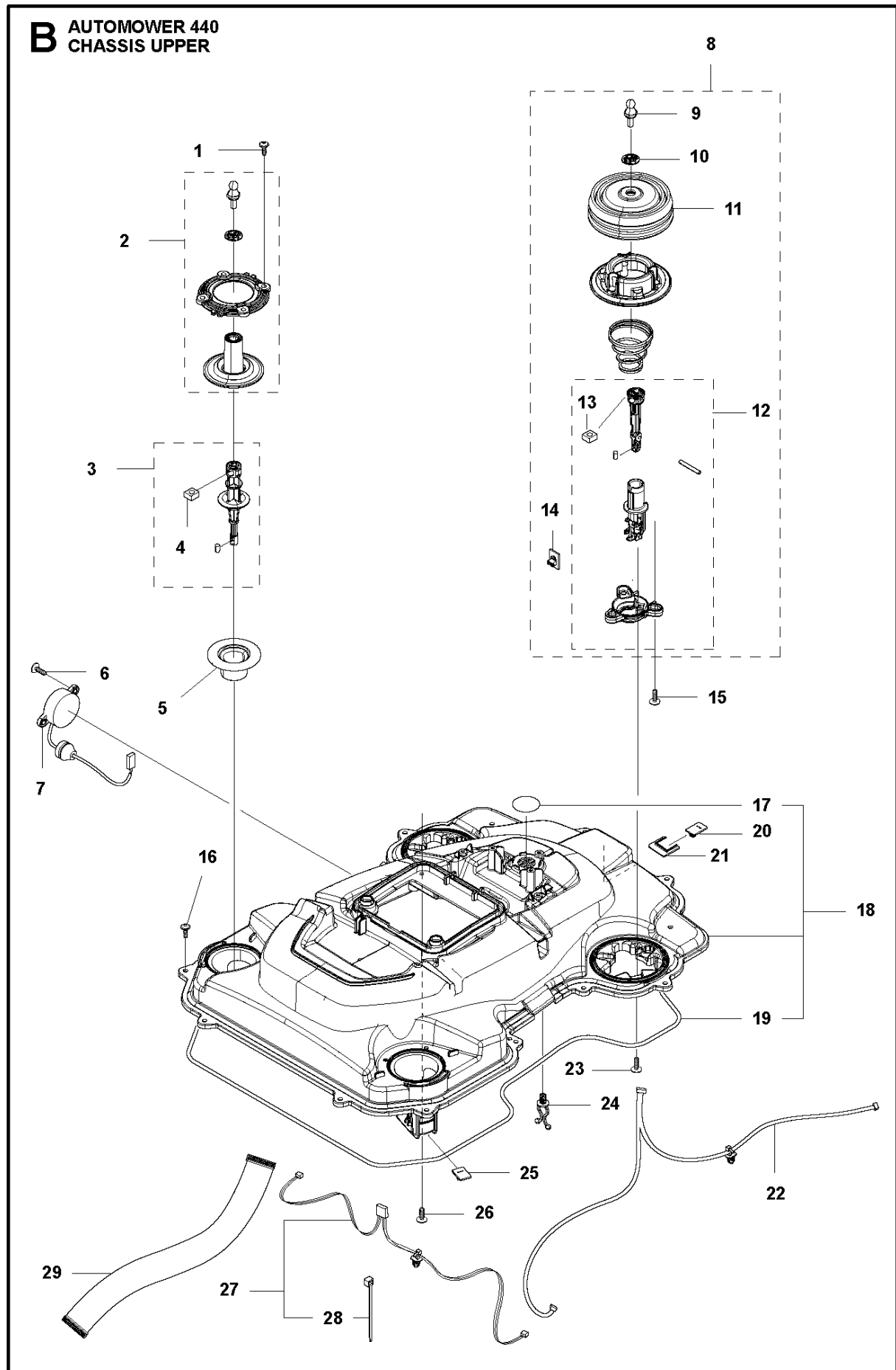
AUTOMOWER 440

A AUTOMOWER 440
COVER



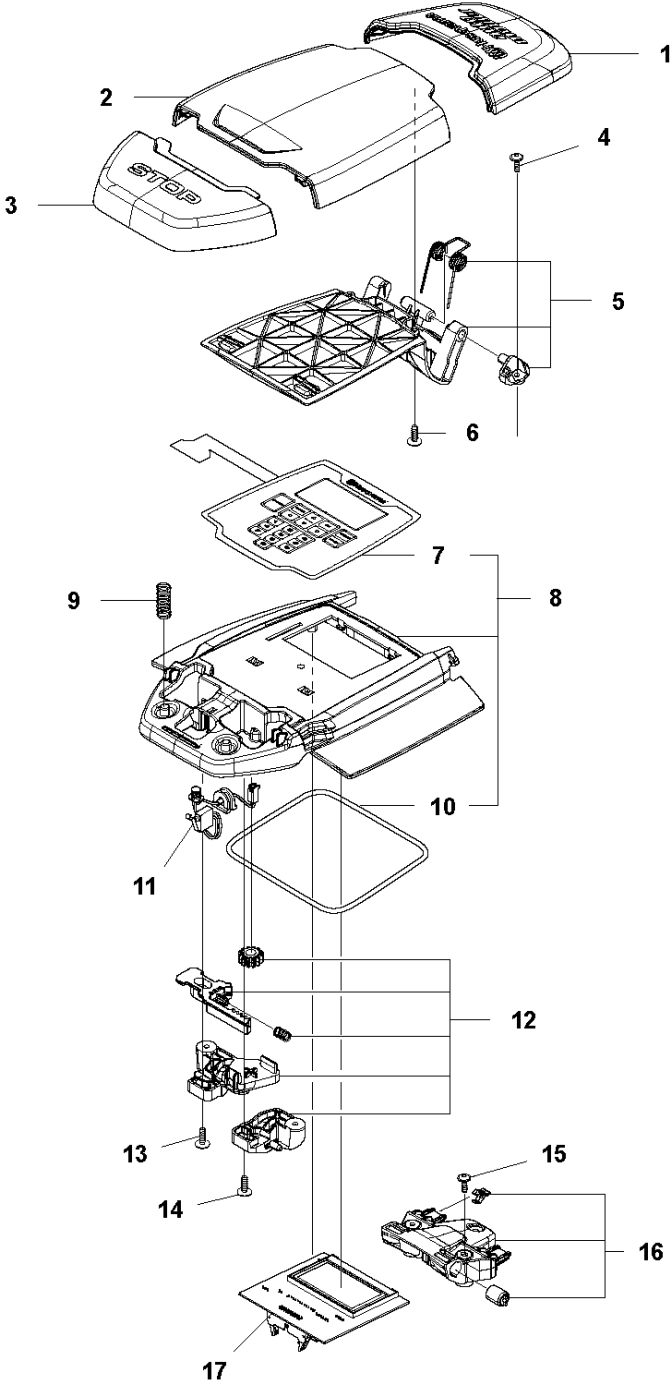
| Ref | Artikelnr | Beskrivning | Anmärkning | ANT SATS AL |
|-----|--------------|---------------|-----------------------|----------------|
| 1 | 581 62 04-05 | BODY KIT | Body KIT | 1 |
| 2 | 587 42 35-01 | DEKAL | Decal | 1 |
| 3 | 580 52 68-01 | HATT | Cap | 4 |
| 4 | 586 35 97-01 | DEKAL | Label | 1 |
| 5 | 585 53 92-04 | KABLAGE KPL | Charging Plate Wiring | 1 |
| 6 | 501 06 56-02 | HÅLLARE KPL | Holder ASSY | 1 |
| 7 | 575 54 33-14 | SCREW | Screw | 1 |
| 8 | 579 51 98-02 | STÖTFÅNGARE | Bumper | 1 |
| 9 | 574 45 01-01 | SKRUV ITXPANT | Screw | 4 |

B AUTOMOWER 440
CHASSIS UPPER



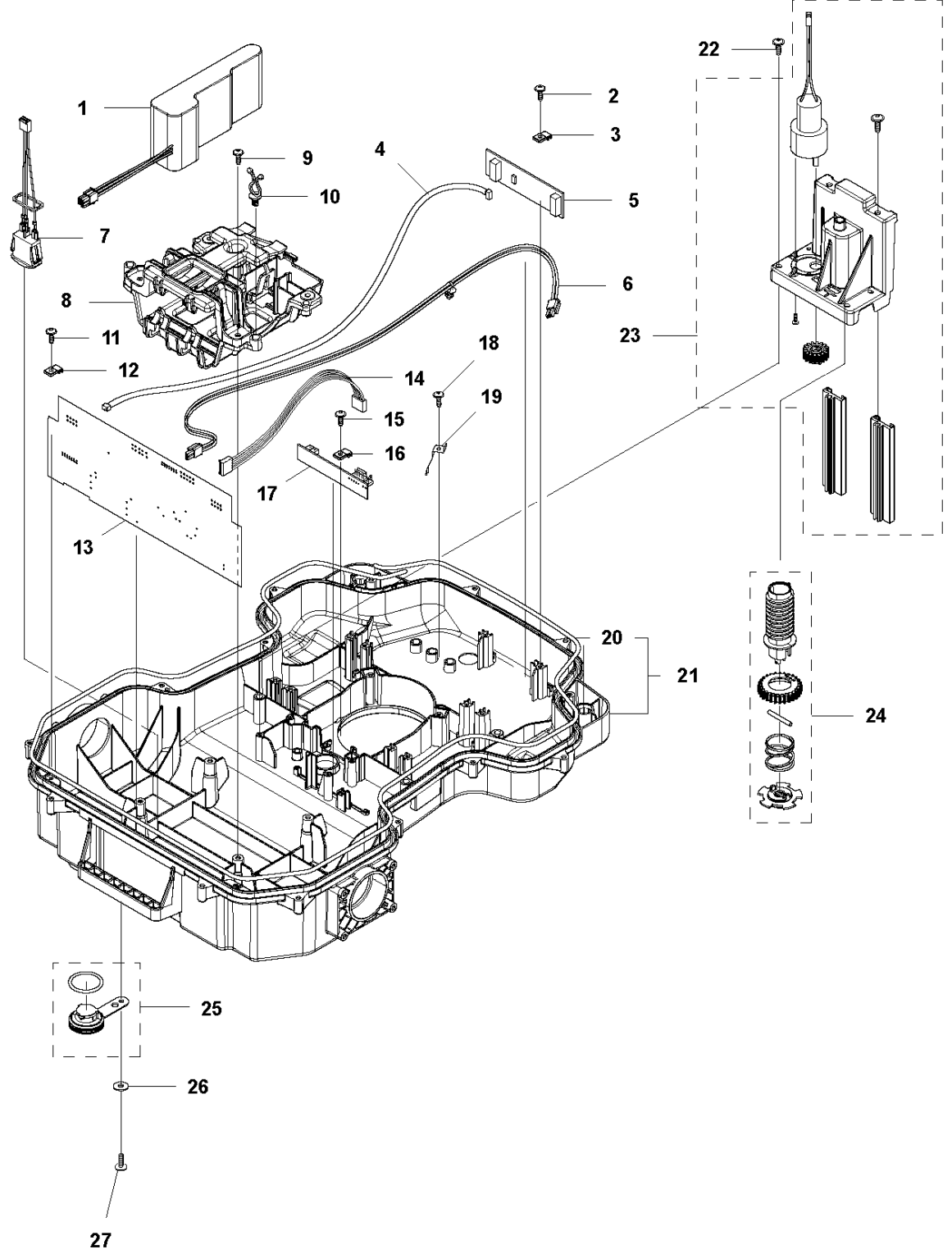
| Ref | Artikelnr | Beskrivning | Anmärkning | ANT SATS AL |
|-----|--------------|-------------------|-----------------------------|----------------|
| 1 | 574 45 01-01 | SKRUV ITXPANT | Screw | 8 |
| 2 | 501 06 13-01 | JOYSTICK KIT | Joystick KIT Rear | 2 |
| 3 | 501 12 26-02 | JOYSTICK KIT | Column KIT | 2 |
| 4 | 503 22 66-01 | MUTTER 4-KANT | Square Nut | 2 |
| 5 | 535 14 32-01 | UTSLAGSBEGRÄNSARE | Deflection Limiter | 2 |
| 6 | 575 54 33-14 | SCREW | Screw | 2 |
| 7 | 579 70 63-02 | BUZZER | Buzzer | 1 |
| 8 | 581 62 09-03 | JOYSTICK KIT | Joystick KIT | 2 |
| 9 | 580 52 67-01 | STUD | Stud | 2 |
| 10 | 579 52 57-01 | BRICKA | Washer | 2 |
| 11 | 579 47 46-01 | BÄLG | Bellows | 2 |
| 12 | 587 44 88-02 | JOYSTICK KIT | Rod KIT | 2 |
| 13 | 503 22 66-01 | MUTTER 4-KANT | Square Nut | 2 |
| 14 | 592 85 23-01 | KRETSKORT | Printed Circuit ASSY | 2 |
| 15 | 575 54 33-14 | SCREW | Screw | 6 |
| 16 | 574 45 01-01 | SKRUV ITXPANT | Screw | 14 |
| 17 | 577 75 37-01 | LUFTFILTER | Air Filter KIT 10 pcs | 1 |
| 18 | 581 62 08-02 | CHASSIS KIT | Chassis KIT | 1 |
| 19 | 574 87 47-05 | TÄTNINGSLIST | Sealing Strip (1 pcs, 5 mm) | 1 |
| 20 | 592 85 24-01 | KRETSKORT | Printed Circuit ASSY | 1 |
| 21 | 587 83 49-01 | KLÄMMA | Clip | 1 |
| 22 | 581 66 09-01 | KABLAGE KPL | Loom KIT | 1 |
| 23 | 574 45 01-01 | SKRUV ITXPANT | Screw | 6 |
| 24 | 580 68 29-01 | HÅLLARE | Holder | 2 |
| 25 | 579 66 91-01 | KRETSKORT | Printed Circuit ASSY | 1 |
| 26 | 575 54 33-14 | SCREW | Screw | 4 |
| 27 | 581 62 11-01 | LOOM KIT | Loom KIT | 1 |
| 28 | 900 23 87-08 | BUNTBAND | Tie Wrap | 1 |
| 29 | 579 70 62-01 | KABLAGE KPL | Loom | 1 |

C AUTOMOWER 440
CENTER CONSOL



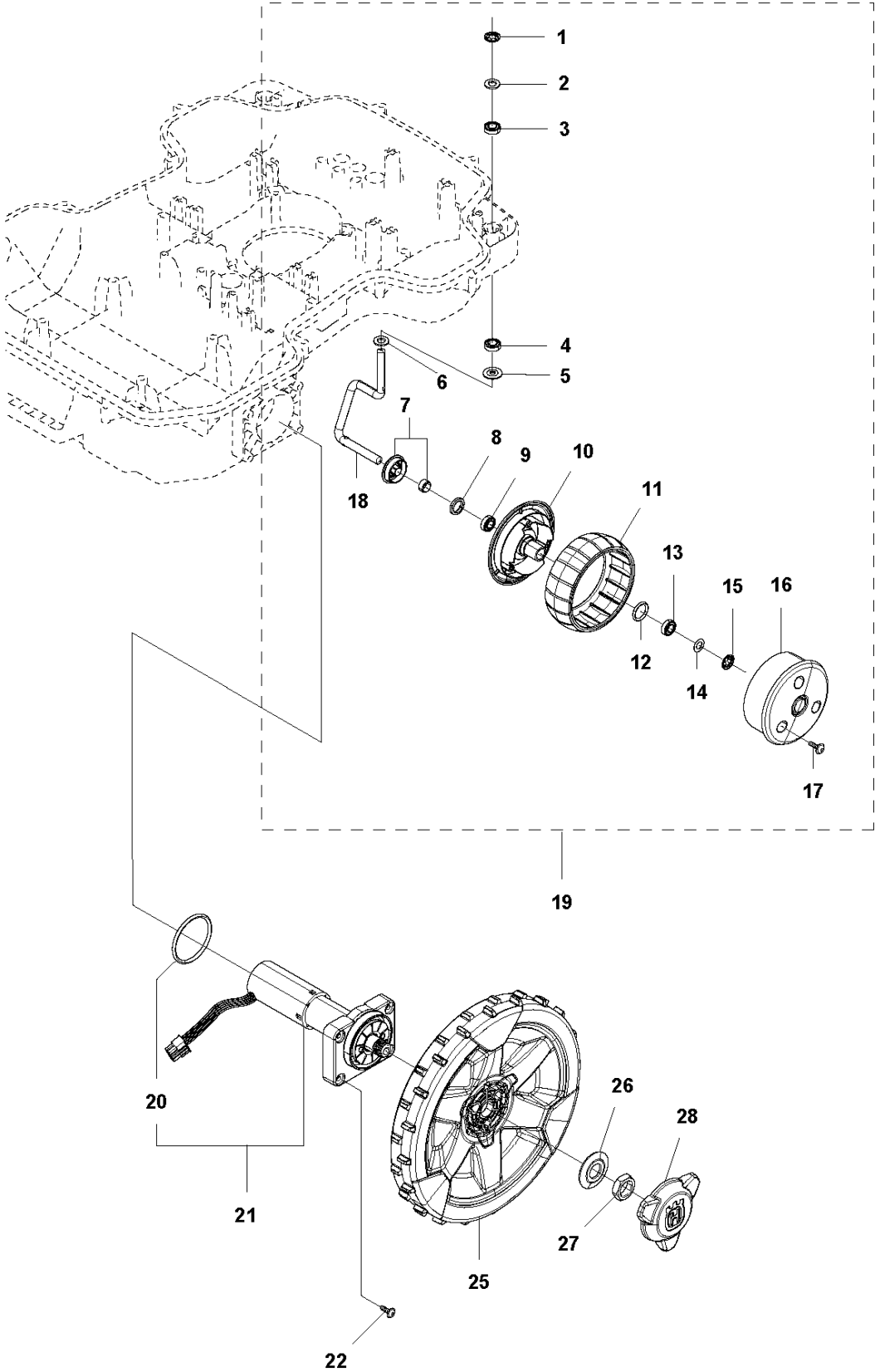
| Ref | Artikelnr | Beskrivning | Anmärkning | ANT SATS AL |
|-----|--------------|---------------|-----------------------------|----------------|
| 1 | 588 79 75-06 | KÅPA | Cover | 1 |
| 2 | 579 45 85-01 | LUCKA | Hatch | 1 |
| 3 | 579 45 81-01 | KNAPP | Button | 1 |
| 4 | 575 54 33-14 | SCREW | Screw | 2 |
| 5 | 501 06 58-01 | HINGE KIT | Hinge KIT | 1 |
| 6 | 575 54 33-14 | SCREW | Screw | 2 |
| 7 | 579 62 79-01 | TANGENTBORD | Keyboard | 1 |
| 8 | 581 62 06-01 | TÄCKLOCKSSATS | Cover KIT | 1 |
| 9 | 535 13 01-01 | FJÄDER | Spring | 2 |
| 10 | 574 87 47-06 | TÄTNINGSLIST | Sealing Strip (1 pcs, 5 mm) | 1 |
| 11 | 574 48 03-02 | BRYTARE | Switch | 1 |
| 12 | 501 06 60-01 | LOCK KIT | Locking Plate KIT | 1 |
| 13 | 575 54 33-14 | SCREW | Screw | 1 |
| 14 | 575 54 33-14 | SCREW | Screw | 1 |
| 15 | 575 54 33-14 | SCREW | Screw | 3 |
| 16 | 581 62 07-01 | SUPPORT KIT | Support KIT | 1 |
| 17 | 592 91 04-01 | KRETSKORT | From 2019 Models | 1 |
| 17 | 588 27 59-01 | KRETSKORT | For 2018 & 2017 Models | 1 |

D AUTOMOWER 440
CHASSIS LOWER



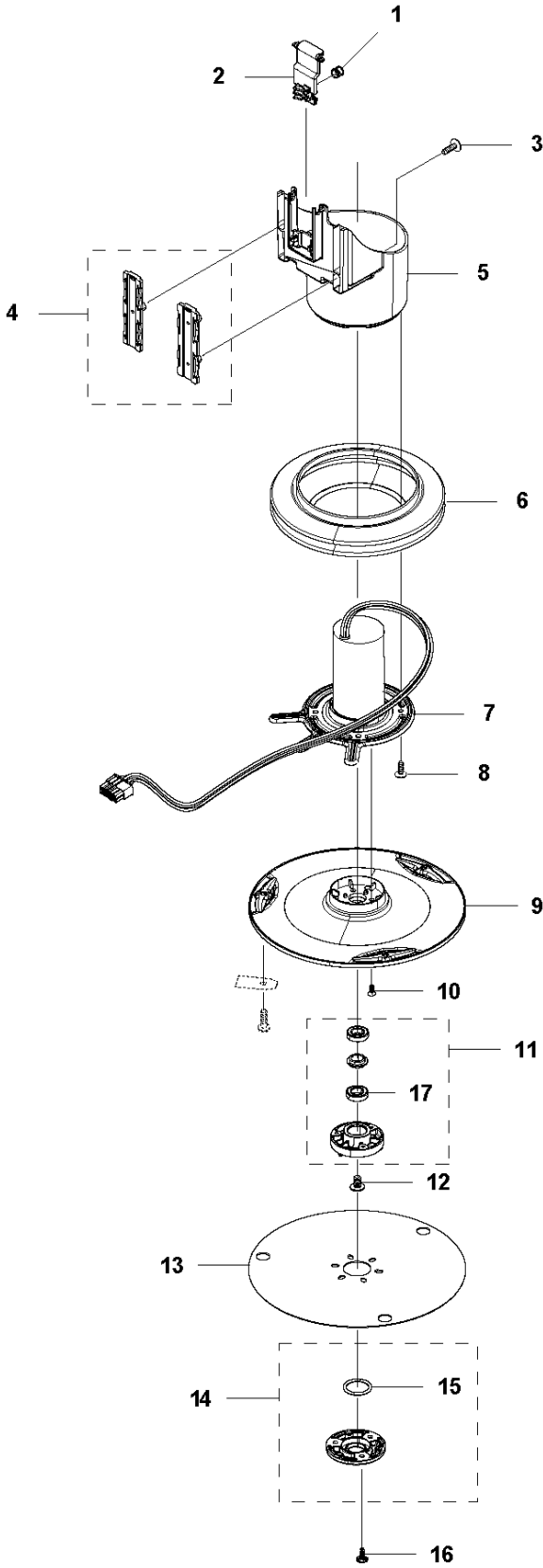
| Ref | Artikelnr | Beskrivning | Anmärkning | ANT SATS AL |
|-----|--------------|---------------|-----------------------------|----------------|
| 1 | 589 58 57-01 | BATTERI | Battery | 2 |
| 2 | 575 54 33-14 | SCREW | Screw | 2 |
| 3 | 579 52 94-01 | ÖVERFALL | Clamp | 2 |
| 4 | 579 70 82-01 | KABLAGE KPL | Loom | 1 |
| 5 | 592 85 27-01 | KRETSKORT | Printed Circuit ASSY | 1 |
| 6 | 580 37 07-02 | LOOM | Loom | 1 |
| 7 | 579 70 87-01 | KABLAGE KPL | Switch, On Off | 1 |
| 8 | 580 60 96-02 | HÅLLARE | Holder | 1 |
| 9 | 574 45 01-01 | SKRUV ITXPANT | Screw | 5 |
| 10 | 580 68 29-01 | HÅLLARE | Holder | 7 |
| 11 | 575 54 33-14 | SCREW | Screw | 2 |
| 12 | 579 52 94-01 | ÖVERFALL | Clamp | 2 |
| 13 | 592 85 26-01 | KRETSKORT | Printed Circuit ASSY | 1 |
| 14 | 579 70 80-01 | KABLAGE KPL | Loom | 1 |
| 15 | 575 54 33-14 | SCREW | Screw | 1 |
| 16 | 579 52 94-01 | ÖVERFALL | Clamp | 1 |
| 17 | 579 72 85-02 | KRETSKORT | Printed Circuit ASSY | 1 |
| 18 | 575 54 33-14 | SCREW | Screw | 2 |
| 19 | 581 55 61-01 | FJÄDER | Spring | 2 |
| 20 | 574 87 47-05 | TÄTNINGSLIST | Sealing Strip (1 pcs, 5 mm) | 1 |
| 21 | 581 62 17-01 | CHASSIS KIT | Chassis KIT | 1 |
| 22 | 575 54 33-14 | SCREW | Screw | 4 |
| 23 | 501 06 83-01 | MOTOR KPL | Motor ASSY | 1 |
| 24 | 581 62 16-01 | SCREW KIT | Screw KIT | 1 |
| 25 | 581 62 12-02 | PLUG KIT | Plug KIT | 1 |
| 26 | 734 11 37-41 | BRICKA | Washer | 1 |
| 27 | 574 45 01-01 | SKRUV ITXPANT | Screw | 1 |

E AUTOMOWER 440
WHEELS & TIRES



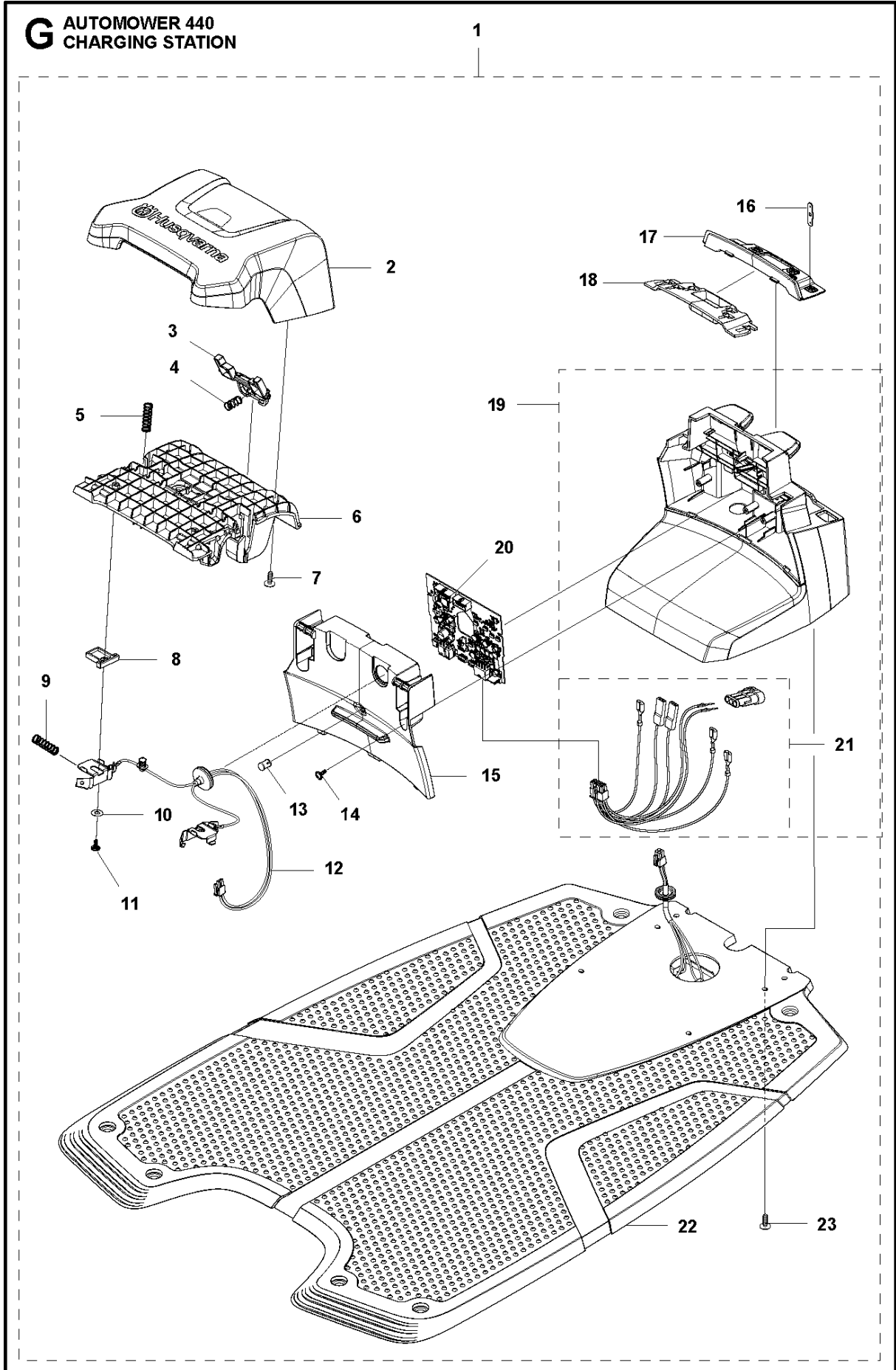
| Ref | Artikelnr | Beskrivning | Anmärkning | ANT SATS AL |
|-----|--------------|---------------------|-----------------|----------------|
| 1 | 576 01 93-02 | LÅSBRICKA | Lock Washer | 2 |
| 2 | 580 76 46-01 | BRICKA | Washer | 2 |
| 3 | 580 60 51-01 | KULLAGER | Ball Bearing | 2 |
| 3 | 597 79 56-01 | KULLAGER | Tube 50 pcs | 1 |
| 4 | 580 60 51-01 | KULLAGER | Ball Bearing | 2 |
| 4 | 597 79 56-01 | KULLAGER | Tube 50 pcs | 1 |
| 5 | 535 08 78-03 | BRICKA | Washer | 2 |
| 6 | 580 76 46-01 | BRICKA | Washer | 2 |
| 7 | 581 62 15-01 | SHIELD KIT | Shield KIT | 2 |
| 8 | 580 48 71-01 | TÄTNING | Sealing | 2 |
| 9 | 580 60 51-01 | KULLAGER | Ball Bearing | 2 |
| 9 | 597 79 56-01 | KULLAGER | Tube 50 pcs | 1 |
| 10 | 579 45 71-01 | HJUL | Wheel Inside | 2 |
| 11 | 574 44 98-01 | HJUL | Tire | 2 |
| 12 | 580 44 51-01 | O-RING | O-ring | 2 |
| 13 | 580 60 51-01 | KULLAGER | Ball Bearing | 2 |
| 13 | 597 79 56-01 | KULLAGER | Tube 50 pcs | 1 |
| 14 | 580 76 46-01 | BRICKA | Washer | 2 |
| 15 | 576 01 93-02 | LÅSBRICKA | Lock Washer | 2 |
| 16 | 579 45 72-01 | HJUL | Wheel Outside | 2 |
| 17 | 575 54 33-14 | SCREW | Screw | 6 |
| 18 | 580 33 61-01 | SPINDEL | Spindle | 2 |
| 19 | 581 62 14-01 | HJUL KIT | Front Wheel KIT | 2 |
| 20 | 580 44 39-02 | O-RING | O-ring | 2 |
| 21 | 581 62 13-06 | MOTOR KIT | | 2 |
| 22 | 574 45 01-01 | SKRUV ITXPANT | Screw | 8 |
| 25 | 582 28 02-01 | HJUL KPL | Rear Wheel | 2 |
| 26 | 586 21 06-01 | BRICKA | Spring Washer | 2 |
| 27 | 731 43 24-01 | HEXAGON TUNN MUTTER | Thin Nut | 2 |
| 28 | 579 50 55-02 | NAVKAPSEL | Hub Cap | 2 |

F AUTOMOWER 440
BLADE MOTOR & CUTTING EQUIPMENT



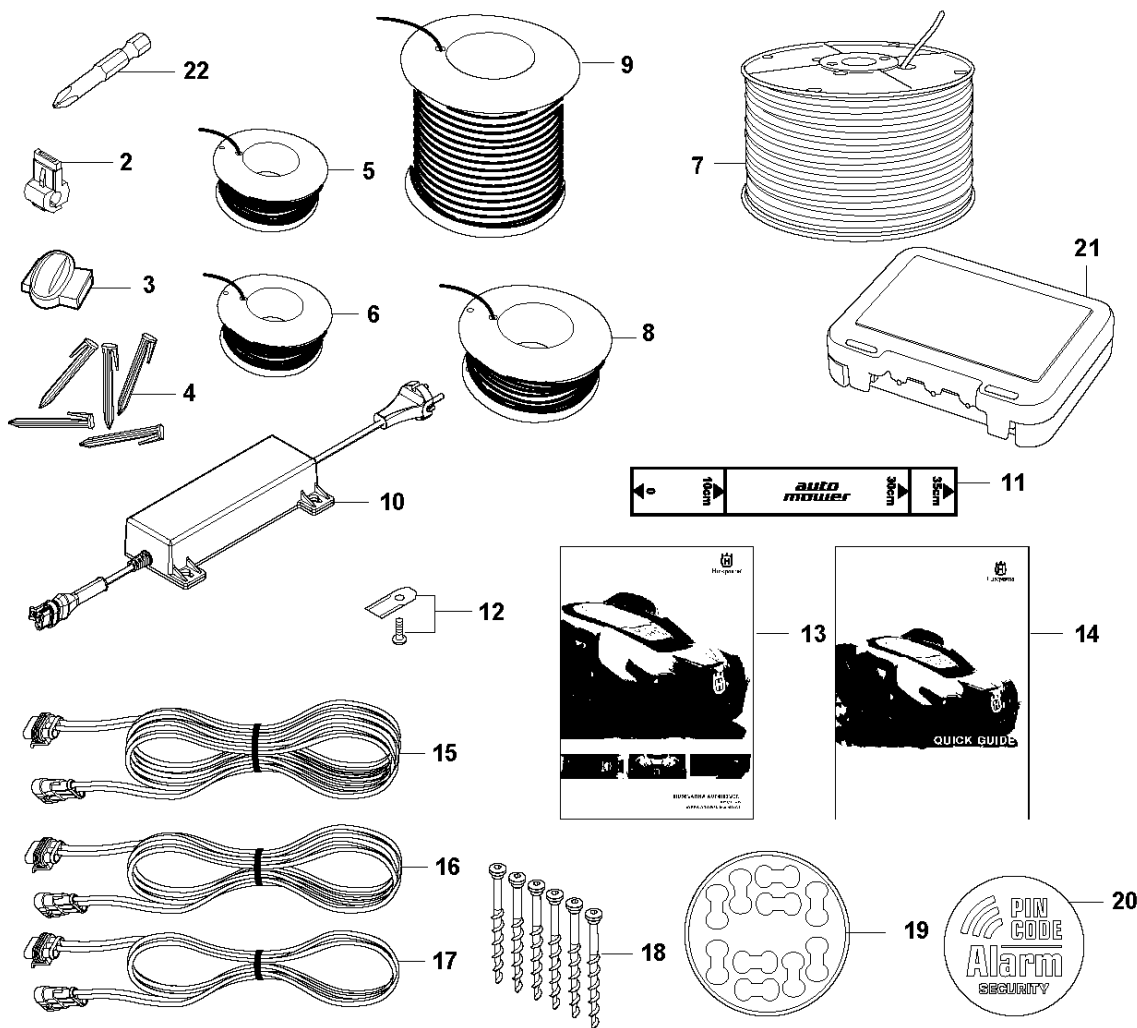
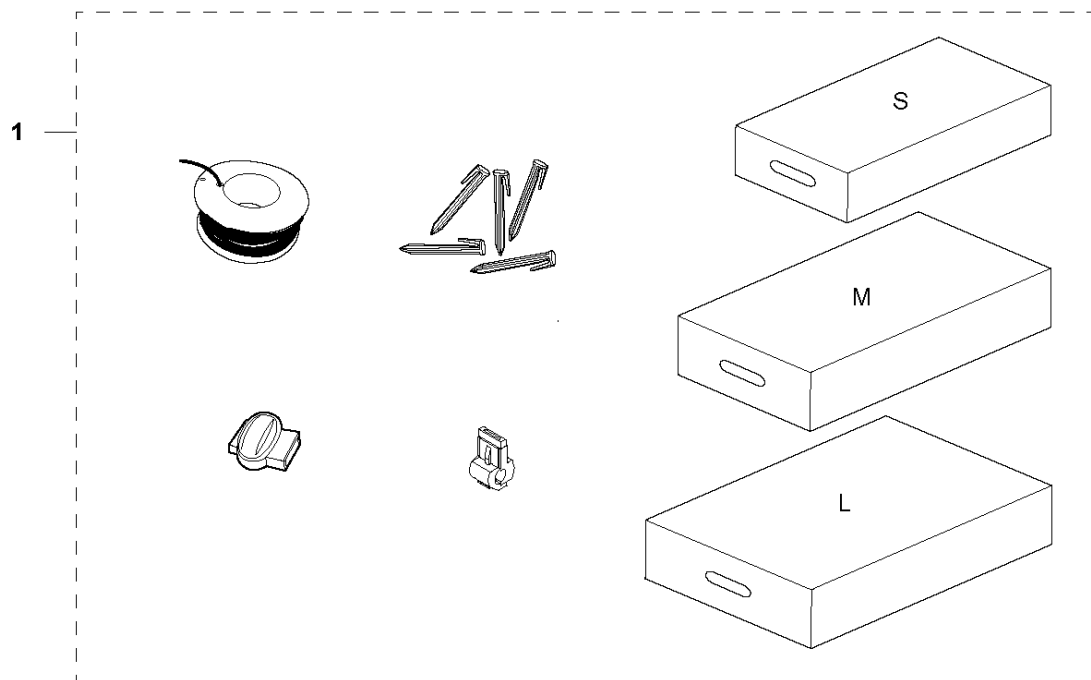
| Ref | Artikelnr | Beskrivning | Anmärkning | ANT SATS AL |
|-----|--------------|---------------|--------------------------------|----------------|
| 1 | 580 62 44-01 | FJÄDER | Spring | 1 |
| 2 | 579 56 46-01 | LÄNK | Link | 1 |
| 3 | 575 54 33-14 | SCREW | Screw | 3 |
| 4 | 581 62 18-01 | LAGERSATS | Bearing KIT | 1 |
| 5 | 579 56 45-01 | HUS | Housing | 1 |
| 6 | 579 66 64-03 | BÄLG | Bellows | 1 |
| 7 | 587 38 14-01 | MOTOR KPL | Cutting Motor ASSY | 1 |
| 8 | 575 54 33-14 | SCREW | Screw | 4 |
| 9 | 598 81 44-01 | KNIVDISK | For 2020 models. Cutting Disc. | 1 |
| 9 | 587 37 81-01 | KNIVDISK | For 2019, 2018 & 2017 models | 1 |
| 10 | 535 13 05-02 | SCREW | Screw | 3 |
| 11 | 588 42 17-02 | LAGERHUS KPL | Bearing Housing ASSY | 1 |
| 12 | 535 07 60-01 | SCREW | Screw | 1 |
| 13 | 597 44 98-01 | HASPLÅT | For 2020 models. Skid Plate. | 1 |
| 13 | 587 37 80-01 | HASPLÅT | For 2019, 2018 & 2017 models | 1 |
| 14 | 587 44 96-01 | TÄCKLOCKSSATS | Bearing Cover ASSY | 1 |
| 15 | 585 29 75-01 | O-RING | O-Ring | 1 |
| 16 | 575 54 33-14 | SCREW | Screw | 3 |
| 17 | 535 07 57-03 | KULLAGER | | 1 |
| 17 | 593 08 08-01 | KULLAGER | Tube 50 pcs | 1 |

G AUTOMOWER 440
CHARGING STATION



| Ref | Artikelnr | Beskrivning | Anmärkning | ANT SATS AL |
|-----|--------------|---------------|-----------------------|----------------|
| 1 | 593 78 47-02 | LADDSTATION | Charging Station | 1 |
| 2 | 579 44 82-03 | HATT | Cap | 1 |
| 3 | 579 46 24-02 | KNAPP | Button | 1 |
| 4 | 574 48 70-01 | FJÄDER | Spring | 1 |
| 5 | 580 51 14-01 | FJÄDER | Spring | 2 |
| 6 | 579 45 80-04 | RAM | Frame | 1 |
| 7 | 575 54 33-14 | SCREW | Screw | 4 |
| 8 | 579 46 05-02 | DISTANSBRICKA | Distance | 2 |
| 9 | 580 51 14-01 | FJÄDER | Spring | 2 |
| 10 | 734 11 37-41 | BRICKA | Washer | 2 |
| 11 | 575 54 33-14 | SCREW | Screw | 2 |
| 12 | 585 53 95-02 | KABLAGE KPL | Loom Charging Contact | 1 |
| 13 | 590 21 72-01 | LINS | Lens | 1 |
| 14 | 575 54 33-14 | SCREW | Screw | 2 |
| 15 | 579 45 97-04 | LOCK | Lid | 1 |
| 16 | 580 50 41-01 | POLSKO | Terminal | 4 |
| 17 | 579 45 98-02 | PANEL | Panel | 1 |
| 18 | 579 45 99-01 | HÅLLARE | Holder | 1 |
| 19 | 588 18 88-01 | HUS KPL | Housing KIT | 1 |
| 20 | 592 89 45-01 | KRETSKORT | PCBA Charging Station | 1 |
| 21 | 588 47 89-01 | KABELSATS | Wiring CS | 1 |
| 22 | 590 09 40-01 | BASE ASSY | Charging Plate | 1 |
| 23 | 575 54 33-14 | SCREW | Screw | 4 |

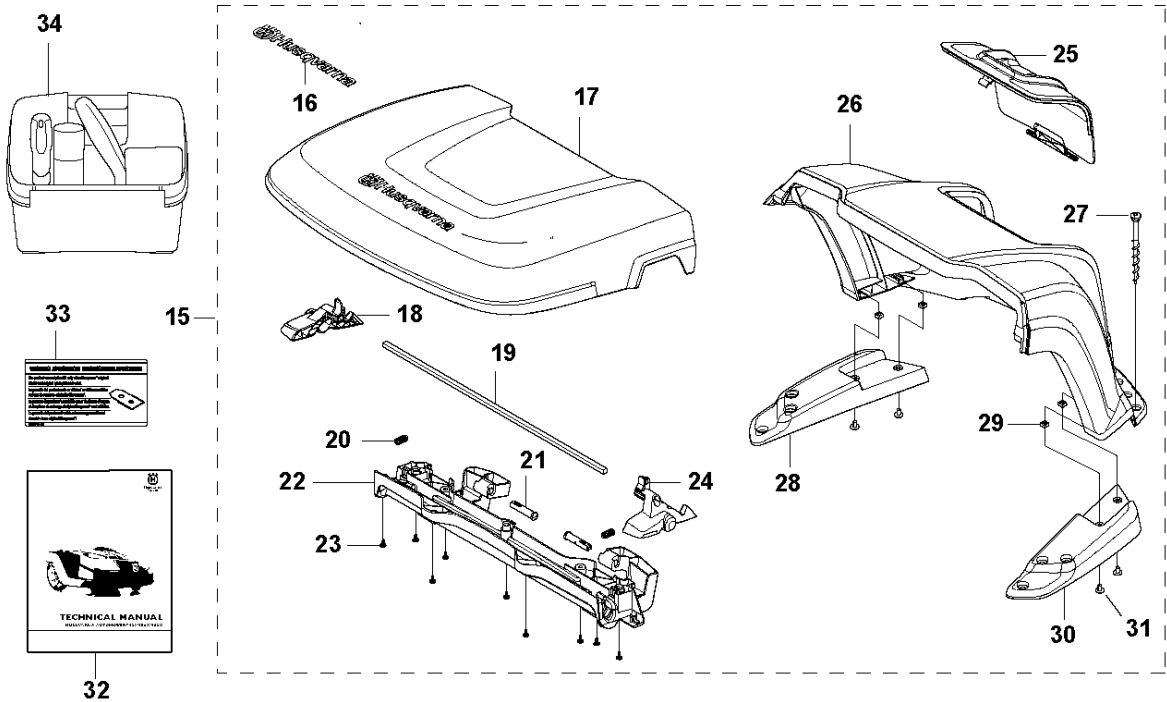
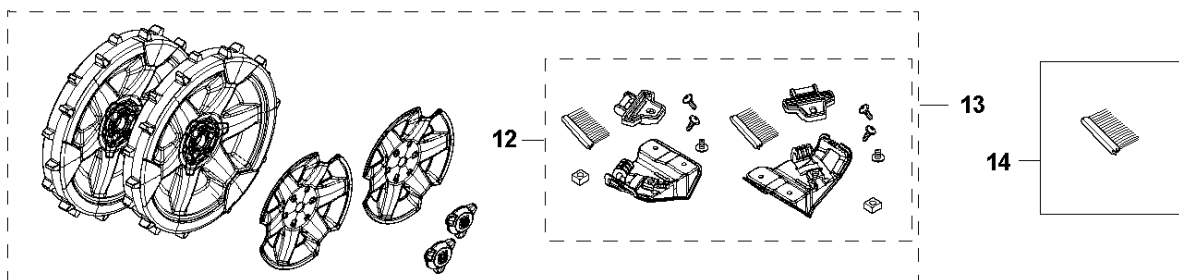
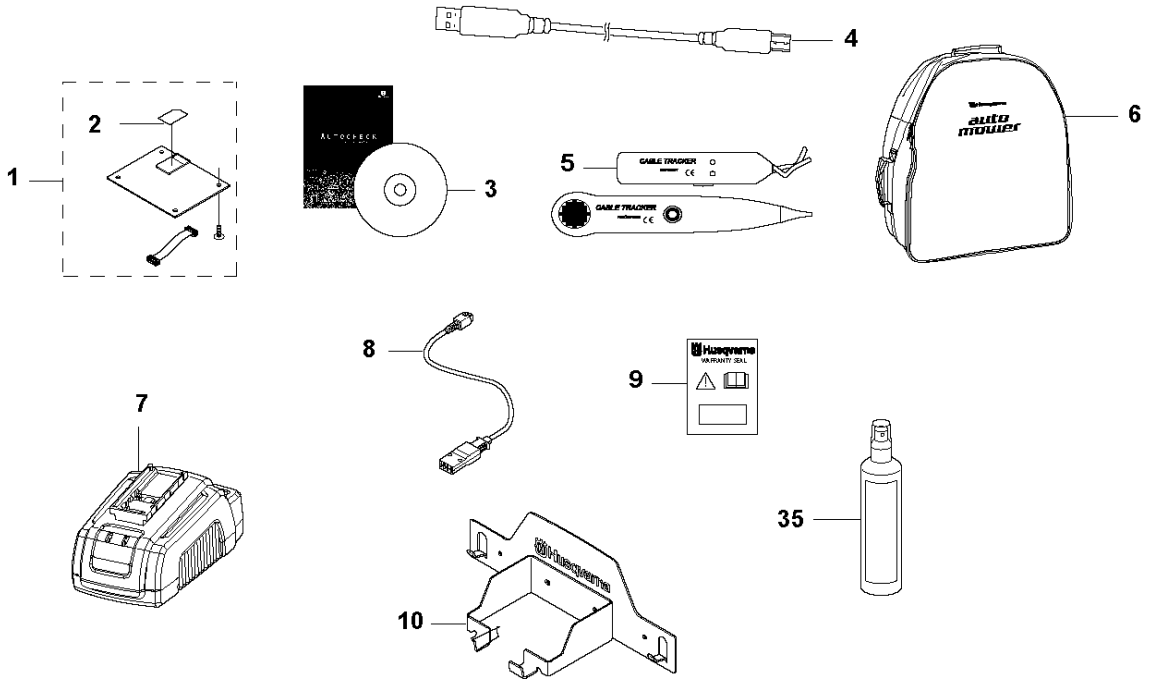
H AUTOMOWER 440 INSTALLATION ACCESSORIES



| Ref | Artikelnr | Beskrivning | Anmärkning | ANT SATS AL |
|-----|--------------|------------------|---|----------------|
| 1 | 967 62 36-01 | INSTALLATION KIT | Installation KIT S: Wire (150 m), Staples (300 pcs), Connectors (3 pcs), Couplers (5 pcs) | 1 |
| 1 | 967 62 36-02 | INSTALLATION KIT | Installation KIT M: Wire (250 m), Staples (400 pcs), Connectors (3 pcs), Couplers (5 pcs) | 1 |
| 1 | 967 62 36-03 | INSTALLATION KIT | Installation KIT L: Wire (400 m), Staples (600 pcs), Connectors (5 pcs), Couplers (5 pcs) | 1 |
| 2 | 535 12 90-01 | KOPPLING | Loop Wire Connector | 1 |
| 2 | 535 12 90-02 | KOPPLING | Loop Wire Connector, Blister Pack, 100 pcs | 1 |
| 2 | 577 86 48-01 | KOPPLING | Loop Wire Connectors, Blister Pack, 5pcs | 1 |
| 3 | 501 98 02-01 | KOPPLING | Coupler | 1 |
| 3 | 577 86 47-01 | KOPPLING | Couplers, Blister Pack, 5 pcs | 1 |
| 3 | 501 98 02-03 | KOPPLING | Couplers, 100 pcs | 1 |
| 4 | 577 86 42-01 | KLAMMER | Staples, 85 mm, Blister Pack, 100 pcs | 1 |
| 4 | 583 97 34-01 | KLAMMER | Staples, 85 mm, 100 pcs | 1 |
| 5 | 577 86 43-02 | VAJER | Wire Blister Pack, (50 m) | 1 |
| 5 | 580 66 20-02 | VAJER | Wire (150 m) | 1 |
| 5 | 577 86 43-01 | VAJER | Wire Blister Pack, (150 m) | 1 |
| 6 | 580 66 20-01 | VAJER | Wire (250 m) | 1 |
| 7 | 593 29 77-01 | VAJER | Wire Pro 300m | 1 |
| 8 | 522 91 41-01 | VAJER | Wire (500 m, 3.4 mm) | 1 |
| 9 | 580 66 20-04 | VAJER | Wire (800 m) | 1 |
| 10 | 590 44 25-01 | DRIVENHET | Transformer (EU) | 1 |
| 10 | 590 44 25-02 | DRIVENHET | Transformer (UK/IRL) | 1 |
| 10 | 590 44 25-03 | DRIVENHET | Transformer (CH) | 1 |
| 10 | 590 44 25-04 | DRIVENHET | Transformer (US/CA) | 1 |
| 10 | 586 81 22-05 | DRIVENHET | Transformer (AU/NZ) | 1 |
| 11 | 544 17 75-01 | MÄTTBAND | Measuring Tape | 1 |
| 12 | 577 86 46-03 | BLADE SET | Long Life Safety Blades, Blister Pack, 9 pcs | 1 |
| 12 | 577 60 65-05 | BLADE SET | Long Life Safety Blades, 45 pcs | 1 |
| 12 | 577 60 66-04 | BLADE SET | Long Life Safety Blades, 300 pcs | 1 |
| 13 | 115875801 | TBD | Operator's Manual, Swedish | 1 |
| 13 | 115875806 | TBD | Operator's Manual, Danish | 1 |
| 13 | 115875811 | TBD | Operator's Manual, Finnish | 1 |
| 13 | 115875821 | TBD | Operator's Manual, Norwegian | 1 |
| 13 | 115875826 | TBD | Operator's Manual, English | 1 |
| 13 | 115875831 | TBD | Operator's Manual, French | 1 |
| 13 | 115875832 | TBD | Operator's Manual, French (Canada) | 1 |
| 13 | 115875836 | TBD | Operator's Manual, Dutch | 1 |
| 13 | 115875841 | TBD | Operator's Manual, Italian | 1 |
| 13 | 115875846 | TBD | Operator's Manual, Spanish | 1 |
| 13 | 115875851 | TBD | Operator's Manual, German | 1 |
| 13 | 115875856 | TBD | Operator's Manual, Russian | 1 |
| 13 | 115875858 | TBD | Operator's Manual, Hungarian | 1 |
| 13 | 115875859 | TBD | Operator's Manual, Portuguese | 1 |
| 13 | 115875861 | TBD | Operator's Manual, Polish | 1 |
| 13 | 115875862 | TBD | Operator's Manual, Romanian | 1 |

| Ref | Artikelnr | Beskrivning | Anmärkning | ANT SATS AL |
|-----|--------------|-------------|---|----------------|
| 13 | 115875863 | TBD | Operator's Manual, Estonian | 1 |
| 13 | 115875864 | TBD | Operator's Manual, Latvian | 1 |
| 13 | 115875865 | TBD | Operator's Manual, Lithuanian | 1 |
| 13 | 115875868 | TBD | Operator's Manual, Slovakian | 1 |
| 13 | 115875871 | TBD | Operator's Manual, Greek | 1 |
| 13 | 115875876 | TBD | Operator's Manual, Turkish | 1 |
| 13 | 115875881 | TBD | Operator's Manual, Croatian | 1 |
| 13 | 115875884 | TBD | Operator's Manual, Slovenian | 1 |
| 13 | 115875890 | TBD | Operator's Manual, Czech | 1 |
| 13 | 115875895 | TBD | Operator's Manual, English: EPA, CARB | 1 |
| 13 | 115875896 | TBD | Operator's Manual, Spanish (US) | 1 |
| 14 | 115 84 51-10 | QUICK GUIDE | Quick Guide, Swedish, Danish, Norwegian, Finnish | 1 |
| 14 | 115845120 | TBD | Quick Guide, German, French, Dutch, Slovenian | 1 |
| 14 | 115845130 | TBD | Quick Guide, Spanish, Portuguese, Italian, English | 1 |
| 14 | 115845138 | TBD | Quick Guide, English, Spanish, French, Japanese (incl. US/CA) | 1 |
| 14 | 115845139 | TBD | Quick Guide, German, French, Italian, English | 1 |
| 14 | 115845140 | TBD | Quick Guide, Russian, Estonian, Latvian, Lithuanian | 1 |
| 14 | 115845150 | TBD | Quick Guide, Czech, Slovak, Polish, Hungarian | 1 |
| 14 | 115845193 | TBD | Quick Guide, Croatian, Turkish, Romanian, Greek | 1 |
| 15 | 588 76 50-04 | KABEL | Low Voltage Cable 20 meter | 1 |
| 16 | 588 76 50-05 | KABEL | Low Volt Cabel 10 meter | 1 |
| 17 | 588 76 50-06 | KABEL | Low Volt Cabel 3 meter | 1 |
| 18 | 597 43 58-01 | ANKARE | Screw KIT, 6 pcs | 1 |
| 18 | 577 86 49-01 | SCREW | Screw KIT, Blister Pack, 3 pcs | 1 |
| 19 | 586 27 79-01 | ETIKETT | Sticker Cable Markers, 10 pcs | 1 |
| 20 | 579 57 12-01 | DEKAL | Label Alarm | 1 |
| 21 | 590 85 50-01 | LÅDA | Cable Connector Protection | 1 |
| 22 | 596 33 98-01 | VERKTYG | Bit for Automower blades MOQ 5 pcs | 1 |

**AUTOMOWER 440
ACCESSORIES**



| Ref | Artikelnr | Beskrivning | Anmärkning | ANT SATS AL |
|-----|--------------|------------------|--|----------------|
| 1 | 586 66 23-05 | GPS MODULE | Automower Connect KIT | 1 |
| 3 | 577 85 81-03 | DVD | DVD Autocheck EXP | 1 |
| 4 | 577 51 81-02 | KABEL | Service Cable (USB) | 1 |
| 5 | 577 60 68-01 | TESTUTRUSTNING | Interruption Detector | 1 |
| 6 | 522 91 67-01 | VÄSKA | Bag | 1 |
| 7 | 588 40 84-01 | LADDARE | Quick Charger with Battery Test | 1 |
| 8 | 588 20 26-01 | KABLAGE KPL | Cable Quick Charger | 1 |
| 9 | 580 68 95-02 | DEKAL | Warranty Seal 1pcs | 1 |
| 10 | 585 01 97-02 | WALL HANGER | Wall Hanger | 1 |
| 12 | 581 90 31-02 | BORSTSATS | Brush KIT incl. Brush, 6 pcs | |
| 13 | 581 88 97-02 | WHEEL KIT | Rear Wheel KIT incl. Brush KIT | 1 |
| 14 | 581 98 20-02 | BORSTSATS | Brush, 6 pcs | 1 |
| 15 | 585 01 94-01 | HUS | House KIT | 1 |
| 16 | 577 46 90-01 | DEKAL | Decal | 1 |
| 17 | 586 88 58-01 | KIT | Cover Lid | 1 |
| 18 | 585 32 40-02 | HANDTAG | Handle Left | 1 |
| 19 | 585 32 41-01 | STÅNG | Steel Rod | 1 |
| 20 | 580 51 14-01 | FJÄDER | Spring | 2 |
| 21 | 585 34 15-01 | GÅNGJÄRNSPINNE | Hinge Pin | 2 |
| 22 | 585 34 16-01 | BALK | Beam | 1 |
| 23 | 575 54 33-14 | SCREW | Screw | 9 |
| 24 | 585 32 40-01 | HANDTAG | Handle Right | 1 |
| 25 | 585 32 36-01 | LUCKA | Hatch | 1 |
| 26 | 585 32 34-01 | KÅPA | Cover Base | 1 |
| 27 | 575 23 86-01 | SCREW KIT | Screw KIT, 6 pcs | 1 |
| 28 | 585 32 38-02 | STÖD | Support Base Left | 1 |
| 29 | 503 22 66-01 | MUTTER 4-KANT | Square Nut | 4 |
| 30 | 585 32 38-01 | STÖD | Support Base Right | 1 |
| 31 | 535 12 93-03 | SKRUV IHPANM | Screw | 4 |
| 32 | 115 81 90-01 | VERKSTADSHANDBOK | Technical Handbook -420, 430X, 450X Swedish | 1 |
| 32 | 115 81 90-06 | VERKSTADSHANDBOK | Technical Handbook -420, 430X, 450X Danish | 1 |
| 32 | 115 81 90-11 | VERKSTADSHANDBOK | Technical Handbook -420, 430X, 450X Finnish | 1 |
| 32 | 115 81 90-21 | VERKSTADSHANDBOK | Technical Handbook -420, 430X, 450X Norwegian | 1 |
| 32 | 115 81 90-26 | VERKSTADSHANDBOK | Technical Handbook -420, 430X, 450X English | 1 |
| 32 | 115 81 90-31 | VERKSTADSHANDBOK | Technical Handbook -420, 430X, 450X French | 1 |
| 32 | 115 81 90-36 | VERKSTADSHANDBOK | Technical Handbook -420, 430X, 450X Dutch | 1 |
| 32 | 115 81 90-41 | VERKSTADSHANDBOK | Technical Handbook -420, 430X, 450X Italian | 1 |
| 32 | 115 81 90-46 | VERKSTADSHANDBOK | Technical Handbook -420, 430X, 450X Spanish | 1 |
| 32 | 115 81 90-51 | VERKSTADSHANDBOK | Technical Handbook -420, 430X, 450X German | 1 |
| 32 | 115819056 | TBD | Technical Handbook -420, 430X, 450X Russian | 1 |
| 32 | 115819058 | TBD | Technical Handbook -420, 430X, 450X Hungarian | 1 |
| 32 | 115819059 | TBD | Technical Handbook -420, 430X, 450X Portuguese | 1 |
| 32 | 115819061 | TBD | Technical Handbook -420, 430X, 450X Polish | 1 |
| 32 | 115819062 | TBD | Technical Handbook -420, 430X, 450X Romanian | 1 |
| 32 | 115819063 | TBD | Technical Handbook -420, 430X, 450X Estonian | 1 |
| 32 | 115819064 | TBD | Technical Handbook -420, 430X, 450X Latvian | 1 |

| Ref | Artikelnr | Beskrivning | Anmärkning | ANT SATS AL |
|-----|--------------|------------------|--|----------------|
| 32 | 115819065 | TBD | Technical Handbook -420, 430X, 450X Lithuanian | 1 |
| 32 | 115819068 | TBD | Technical Handbook -420, 430X, 450X Slovakian | 1 |
| 32 | 115819071 | TBD | Technical Handbook -420, 430X, 450X Greek | 1 |
| 32 | 115819076 | TBD | Technical Handbook -420, 430X, 450X Turkish | 1 |
| 32 | 115819079 | TBD | Technical Handbook -420, 430X, 450X Japanese | 1 |
| 32 | 115819081 | TBD | Technical Handbook -420, 430X, 450X Croatian | 1 |
| 32 | 115 81 90-84 | VERKSTADSHANDBOK | Technical Handbook -420, 430X, 450X Slovenian | 1 |
| 32 | 115819090 | TBD | Technical Handbook -420, 430X, 450X Czech | 1 |
| 32 | 115819096 | TBD | Technical Handbook -420, 430X, 450X Spanish (USA) | 1 |
| 33 | 591 37 41-01 | DEKAL | Original Parts sticker SV NO DK FI | 1 |
| 33 | 591 37 41-02 | DEKAL | Original Parts sticker DE FR NL IT | 1 |
| 33 | 591 37 41-03 | DEKAL | Original Parts sticker EN ES FR IT | 1 |
| 34 | 590 85 51-01 | SATS | Maintenance and cleaning kit | 1 |
| 35 | 593 96 79-01 | SPRAY | | 1 |