

**ILLUSTRATED PARTS LIST**

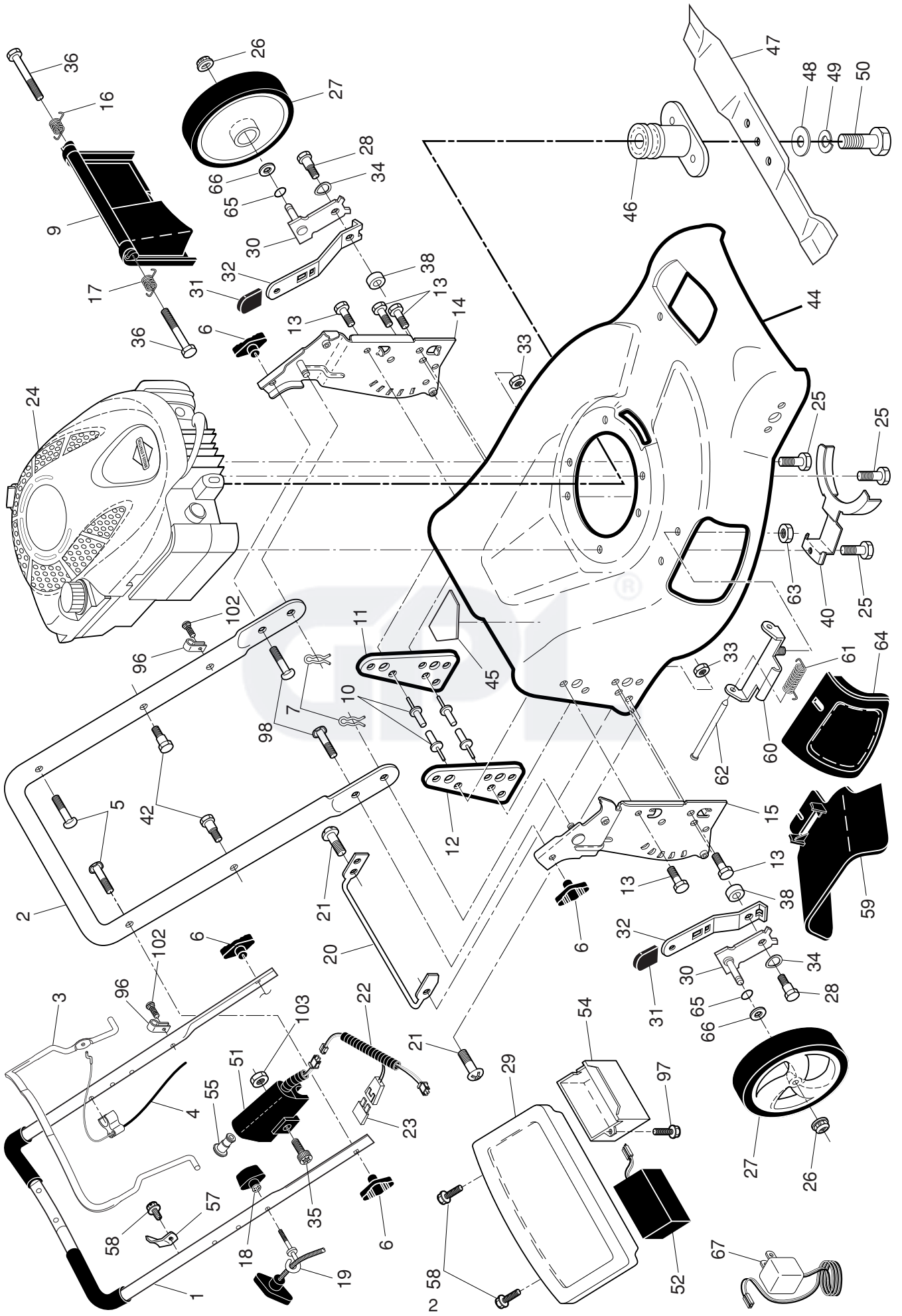
**MODEL NUMBER LM 2153CMDAE**

**PRODUCT NUMBER 961 41 02-89**

**MFG. ID. NUMBER 96141028900**



**JONSERED ROTARY LAWN MOWER - MODEL NO. LM 2153CMDAE (96141028900) PRODUCT NO. 961 41 02-89**

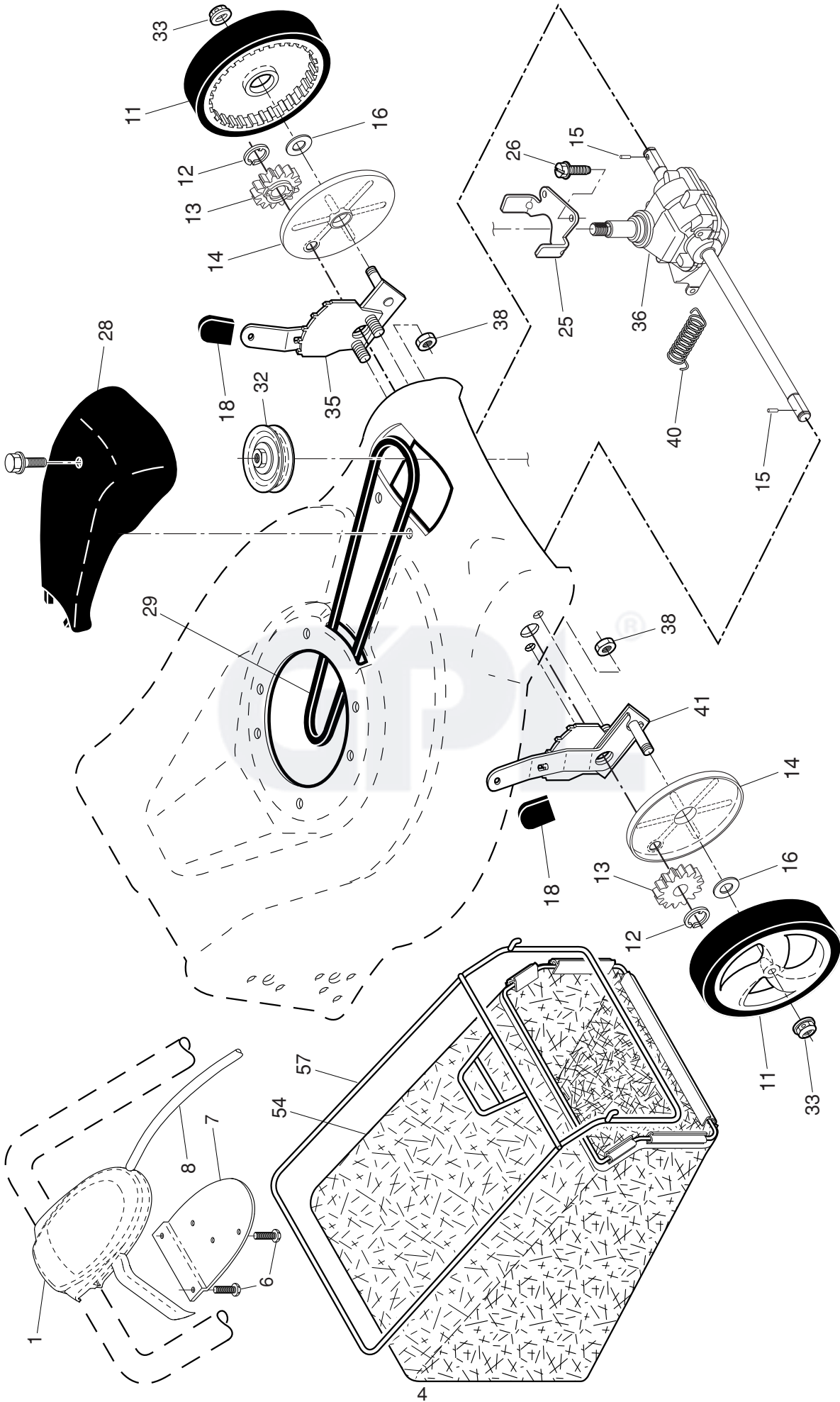


# JONSERED ROTARY LAWN MOWER - MODEL NO. LM 2153CMDAE (96141028900) PRODUCT NO. 961 41 02-89

KEY NO.	PART NO.	DESCRIPTION	KEY NO.	PART NO.	DESCRIPTION
1	580 63 87-09	Upper Handle Assembly (Includes Foam Grip)	38	532 40 16-29	Spacer
2	532 43 45-39	Lower Handle	40	532 43 50-59	Belt Keeper
3	532 42 65-05	Control Bar	42	532 17 55-51	Bolt, Shoulder
4	532 41 53-50	Cable, Engine Zone Control	44	532 43 90-57	Kit, Lawn Mower Housing (Includes Key Numbers 10, 11, 12 and 45)
5	532 19 15-74	Handle Bolt			
6	532 19 19-38	Handle Knob	45	532 18 21-66	Danger Decal
7	532 05 17-93	Hairpin Cotter	46	532 43 22-79	Blade Adapter / Pulley
9	532 40 69-85	Rear Door Assembly	47	532 19 93-77	Blade, 21"
10	532 12 84-15	Pop Rivet	48	532 85 10-74	Hardened Washer
11	532 41 05-40	Support Bracket, LH	49	532 85 02-63	Helical Washer 3/8-24 x 1-3/8 Grade 8
12	532 41 05-42	Support Bracket, RH	50	532 85 10-84	Hex Head Machine Screw 3/8-24 x 1-3/8 Grade 8
13	817 06 04-10	Screw 1/4-20 x 5/8	51	580 91 55-01	Electric Start Assembly (Includes Switch Housing, Switch and Wiring Harness)
14	532 43 45-63	Handle Bracket Assembly, LH			
15	532 43 45-62	Handle Bracket Assembly, RH	52	532 18 95-89	Battery
16	532 40 54-17	Spring, Rear Door, LH	54	532 18 62-37	Box, Battery
17	532 40 54-18	Spring, Rear Door, RH	55	580 91 52-01	Button, Start
18	581 91 26-01	T-Knob	57	532 43 00-34	Bracket, Upstop
19	581 90 21-01	Rope Guide	58	532 17 88-48	Screw, Hex Washer Head #10-16 x 5/8
20	532 43 61-19	Foot Guard	59	532 17 50-71	Discharge Deflector
21	817 49 04-16	Hinge Screw 1/4-20 x 1-1/4	60	532 17 57-35	Hinge Bracket
22	580 80 59-01	Wiring Harness	61	532 19 30-00	Hinge Spring
23	532 42 59-37	Fuse	62	532 17 56-50	Hinge Rod
24	- - -		63	873 80 04-00	Nut, Hex
25	532 15 04-06	Engine, Briggs & Stratton, Model Number 124T05-0311-H1 (order parts from B&S)	64	532 17 50-66	Mulcher Door
26	532 40 91-48	Hex Flange Nut	65	532 19 74-80	O-Ring
27	532 40 25-66	Wheel & Tire Assembly	66	532 08 83-48	Washer, Flat
28	532 40 16-38	Shoulder Bolt 5/16-18 x .33	67	532 19 24-36	Charger, Battery
29	532 41 11-90	Trimplate Assembly	96	532 19 79-91	Clip, Cable
30	532 41 21-74	Axle Arm Assembly, Rear	97	817 41 13-08	Screw
31	532 70 10-37	Selector Knob	98	872 25 05-05	Bolt
32	532 41 08-88	Selector Spring	102	532 42 81-24	Fastener, Push
33	873 80 05-00	Nut, Hex	103	532 44 66-95	Nut, Hex
34	532 40 16-30	Washer, Curved, Cylindrical	- -	532 18 21-91	Warning Decal (not shown)
35	532 44 66-94	Screw	- -	115 62 43-20	Operator's Manual, European
36	532 18 41-93	Bolt	- -	115 62 43-10	Operator's Manual, Scandinavian
			- -	115 62 43-50	Operator's Manual, East Bloc
			- -	115 62 43-40	Operator's Manual, Baltic

**NOTE:** All component dimensions given in U.S. inches. 1 inch = 25.4 mm. **IMPORTANT:** Use only Original Equipment Manufacturer (O.E.M.) replacement parts. Failure to do so could be hazardous, damage your lawn mower and void your warranty.

**JONSERED ROTARY LAWN MOWER - MODEL NO. LM 2153CMDAE (96141028900) PRODUCT NO. 961 41 02-89**



**JONSERED ROTARY LAWN MOWER - MODEL NO. LM 2153CMDAE (96141028900) PRODUCT NO. 961 41 02-89**

KEY PART NO.	KEY PART NO.	DESCRIPTION	KEY PART NO.	DESCRIPTION
1	532 42 52-16	Drive Control Assembly (Includes Cable)	28	Drive Cover Assembly (Includes Mounting Screw and Pushnut)
6	532 18 16-98	Screw #8 x .62	29	V-Belt
7	532 40 07-23	Mounting Bracket, Drive Control Cable, Drive Control	32	Pulley, Drive
8	532 40 62-59	Wheel & Tire Assembly	33	Locknut, Hex
11	532 40 25-67	E-Ring	35	Kit, Wheel Adjuster, LH (Includes Knob and Bearing)
12	812 00 00-58	Pinion	36	Gear Case Assembly, Complete
13	532 40 38-49	Dust Cover	38	Locknut, Hex 1/4-20
14	581 84 04-01	Pawl, Drive	40	Spring
15	532 40 48-45	Washer 1/2 x 1-1/2 x .134	41	Kit, Wheel Adjuster, RH (Includes Knob and Bearing)
16	532 06 77-25	Selector Knob	54	Grassbag Assembly
18	532 70 10-37	Belt Keeper	57	Frame, Grassbag
25	532 43 17-11	Screw, Hi-Lo Thread #12-16 x 5/8		
26	532 16 34-09			

**NOTE:** All component dimensions given in U.S. inches. 1 inch = 25.4 mm. **IMPORTANT:** Use only Original Equipment Manufacturer (O.E.M.) replacement parts. Failure to do so could be hazardous, damage your lawn mower and void your warranty.