

LC 353iV, 967979801, 2020-01

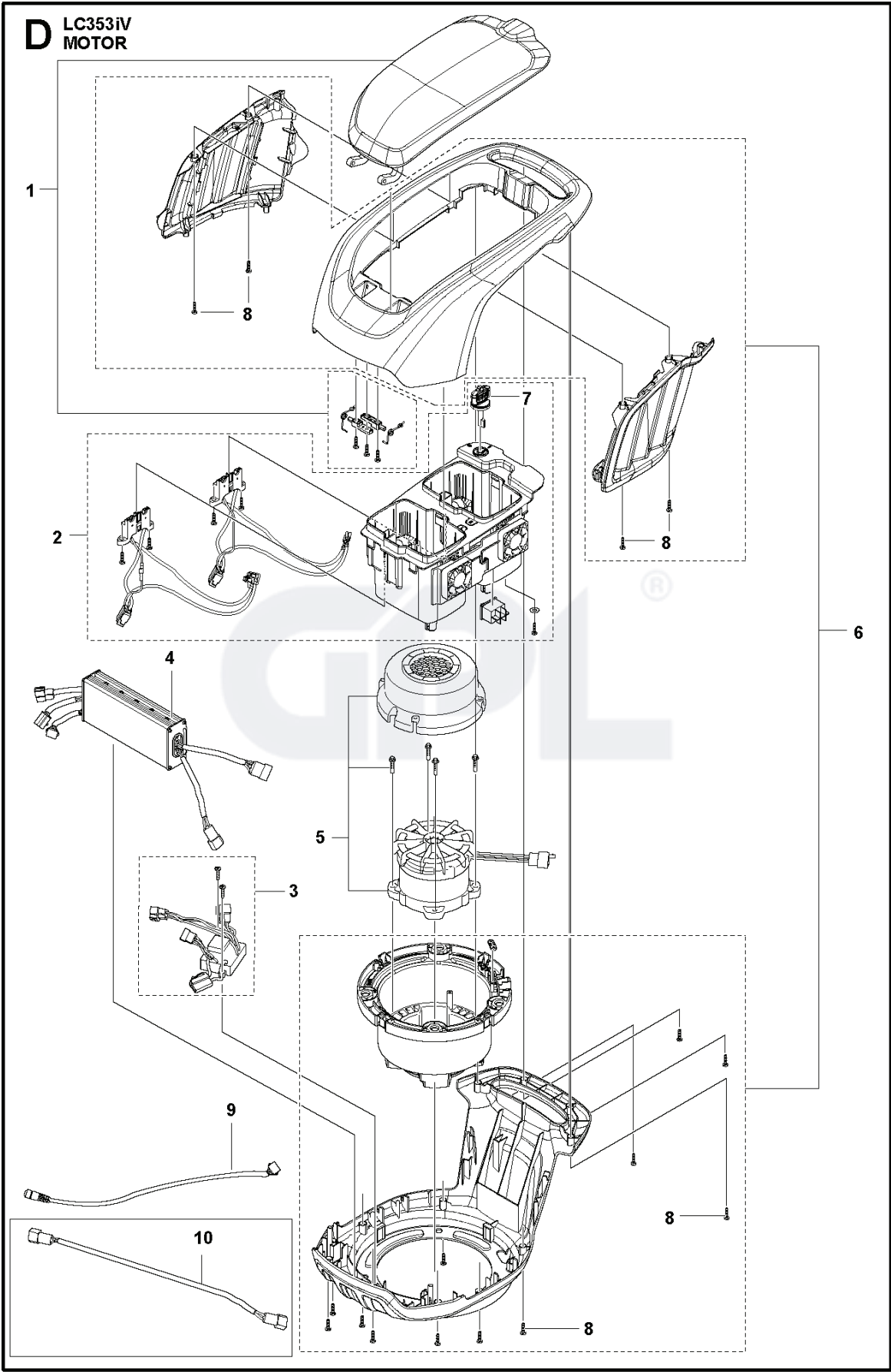


SPARE PARTS LIST

| REF. | PART NO. | DESCRIPTION | REMARK | QTY. | KIT |
|------|-----------|------------------|---------------------------------|------|-----|
| 1 | 596253601 | BAIL | Handle assy. OPC bail kit | 1 | |
| 2 | 587101802 | BAIL | Drive bail | 1 | |
| 3 | 593198701 | DRIVE SCREW | | 2 | |
| 4 | 593118701 | SUPPORT ASSY | Bail support assembly | 1 | |
| 5 | 593198601 | EXTENSION CABLE | Control panel assy cable | 1 | |
| 6 | 596253004 | CONTROL BOARD | Control board. Drive | 1 | |
| 7 | 593118001 | SWITCHBOX ASSY | Push | 1 | |
| 8 | 591086401 | CABLE HOLDER | Handle mounted clip | 2 | 9 |
| 9 | 596280301 | HANDLE ASSY | Handle assy | 1 | |
| 10 | 731231801 | HEXAGON NUT | M8 8 ZPB,ISO 4032 | 2 | |
| 11 | 587237201 | KNOB | handle | 2 | |
| 12 | 732211801 | LOCK NUT | M8-8 | 2 | |
| 13 | 734182051 | WASHER | 8x16x1.5 St ZPB.Type NB | 2 | |
| 14 | 587780401 | WASHER | Washer handle/ handlesupport | 2 | |
| 15 | 506570104 | SCREW EHHFM | M8x20 8.8 ZPB,EHHFM | 2 | |
| 16 | 731431801 | HEXAGON THIN NUT | M8 St 04 ZPB,ISO 4035 | 2 | |
| 17 | 588157401 | WASHER | Nylon Washer | 2 | |
| 18 | 588157302 | BOLT | Esloc,Carriage Bolt M8 | 2 | |
| 19 | 501716001 | BAG FRAME | Bag frame | 1 | |
| 20 | 501856601 | GRASSBAG | Grassbag | 1 | |
| 21 | 597688701 | CABLE | | 1 | |



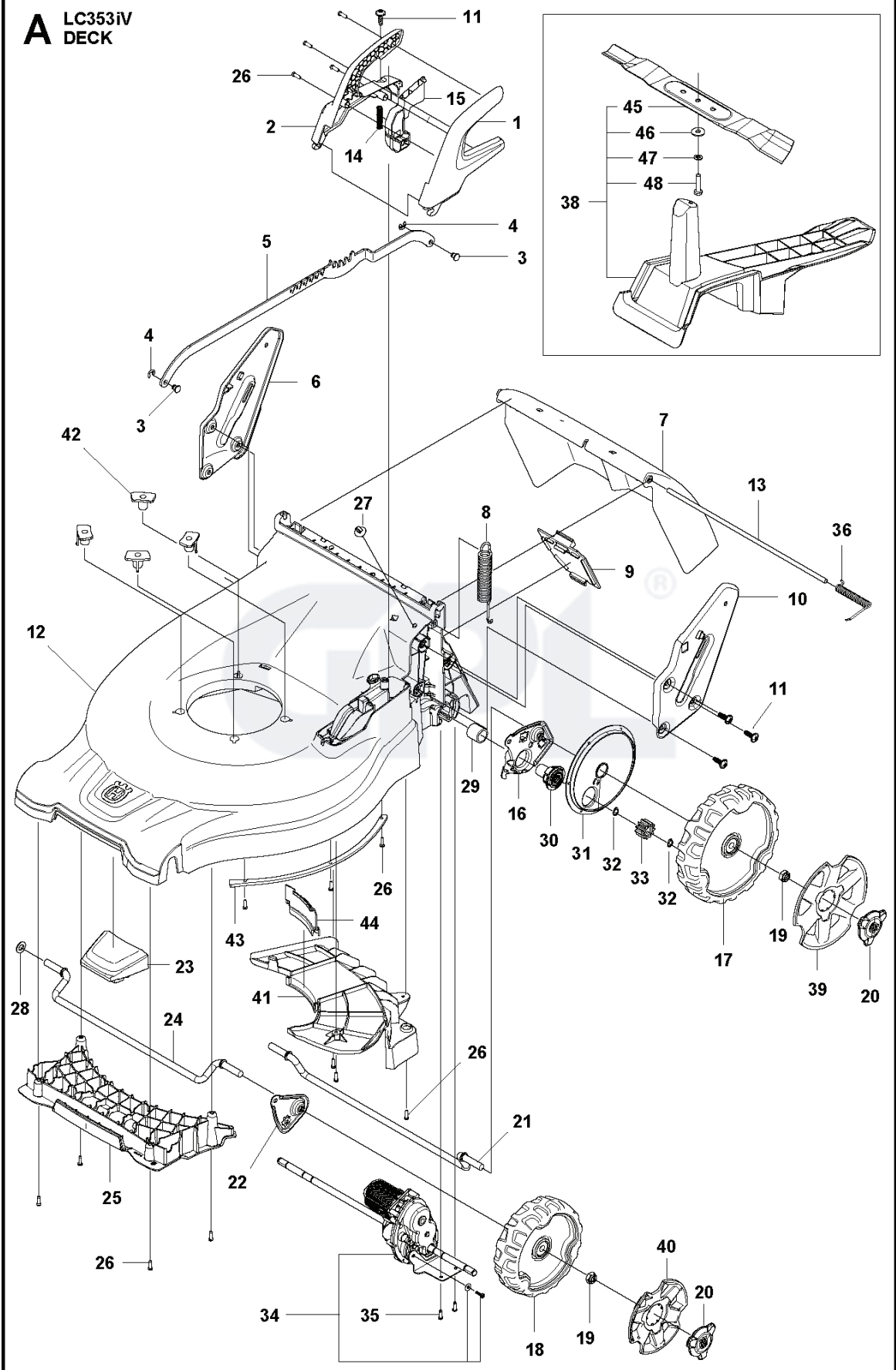
D LC353iV
MOTOR



| REF. | PART NO. | DESCRIPTION | REMARK | QTY. | KIT |
|------|-----------|------------------|-------------------------|------|-----|
| 1 | 593124301 | LID ASSY | Powerhead lid and hinge | 1 | |
| 2 | 593124502 | BATTERY BOX | Battery pocket | 1 | 7 |
| 3 | 593133602 | CONTACT PLATE | Battery control plate | 1 | |
| 4 | 593132702 | CONTROL UNIT | Motor control box | 1 | |
| 5 | 593783802 | MOTOR | Brushless motor 900W | 1 | |
| 6 | 593203901 | ENGINE HOOD ASSY | Power unit cover | 1 | |
| 7 | 501490101 | KEY | battery pocket key | 1 | 2 |
| 8 | 593755501 | SCREW | Engine hood screws | 16 | |
| 9 | 593722801 | CABLE | handle | 1 | |
| 10 | 593722601 | CABLE | transmission | 1 | |

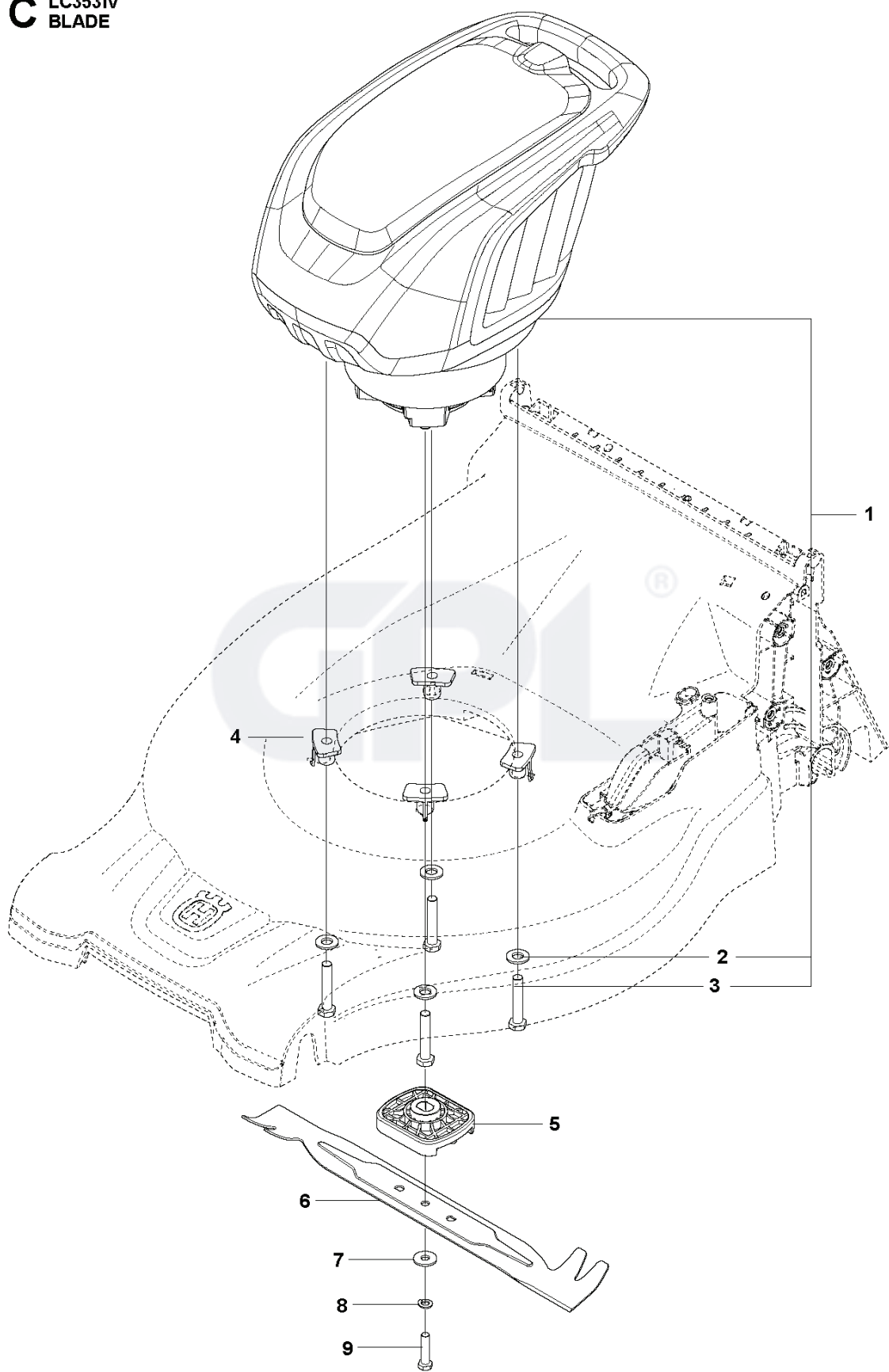
GPL®

A LC353iV
DECK



| REF. | PART NO. | DESCRIPTION | REMARK | QTY. | KIT |
|------|-----------|---------------------|---|------|-----|
| 1 | 587203701 | COVER HALF | Husqvarna, Suspension - Left - Height adjustment | 1 | |
| 2 | 587203801 | COVER HALF | Husqvarna, Suspension - Right - Height adjustment | 1 | |
| 3 | 587687001 | SHAFT | Suspension | 2 | |
| 4 | 735311220 | E-CLIP | 7x0.9 St PP:SHAFTS | 2 | |
| 5 | 588827801 | ROD | Suspension 190/230 | 1 | |
| 6 | 587212302 | HANDLE SUPPORT | right | 1 | |
| 7 | 501716102 | HATCH | Rear door 53cm, Powerhead | 1 | |
| 8 | 588827701 | SPRING | 53 cm, Balance - Suspension | 1 | |
| 9 | 587095402 | COVER | Service door | 1 | |
| 10 | 587212102 | HANDLE SUPPORT | left | 1 | |
| 11 | 578175802 | SCREW ITXPANT | 8x24, TBO, For Thermoplastics | 7 | |
| 12 | 501704801 | CHASSIS | Husqvarna, 53 cm | 1 | |
| 13 | 586984602 | AXLE | Hatch rear door | 1 | |
| 14 | 589597601 | SPRING | HA Button | 1 | |
| 15 | 587697401 | BUTTON | ASSY - Suspension - Height adjustment | 1 | |
| 16 | 587072501 | LINK ARM | Rear idler 210 | 1 | |
| 17 | 588749601 | WHEEL ASSY | Husqvarna, With Sleeve, 230, Drive | 2 | |
| 18 | 588749701 | WHEEL ASSY | Husqvarna, With Sleeve, 190, Idler | 2 | |
| 19 | 587990901 | NUT | Lock, M12x10 | 4 | |
| 20 | 584159401 | NUT CAP | Nut cap | 4 | |
| 21 | 587072603 | WHEEL AXLE | Rear 53 cm, Suspension | 1 | |
| 22 | 587072401 | LINK ARM | Front idler 170 | 2 | |
| 24 | 587072604 | WHEEL AXLE | Front 47 cm, Suspension | 1 | |
| 25 | 501910301 | SKID PLATE | Husqvarna, Front | 1 | |
| 26 | 502435301 | SCREW ITXPANT | T50x16 Zn/Fe (A009) | 15 | |
| 27 | 579317401 | STRAP | FIR TREE 170x5 | 1 | |
| 28 | 577092801 | WASHER | 12/22/2 FZB ISO7089 | 1 | |
| 29 | 579682802 | TUBE | Rubber | 2 | |
| 30 | 501861001 | BUSHING | ASSY | 1 | |
| 31 | 589639801 | DUST COVER | Dust cover, 230 | 2 | |
| 32 | 735311401 | CIRCLIP | 12x1 st ZPB, SGA | 2 | |
| 33 | 544342301 | PINION | Full Width, PM, 11 T, 21.25mm Root Diam | 1 | |
| 34 | 594728801 | TRANSMISSION | Assy | 1 | |
| 35 | 502435301 | SCREW ITXPANT | T50x16 Zn/Fe (A009) | 2 | |
| 36 | 587101501 | SPRING | hatch | 1 | |
| 38 | 595001101 | MULCH KIT | Mulch plug and combi blade kit | 1 | |
| 39 | 588752001 | HUB CAP | 230 Husqvarna | 2 | |
| 40 | 588752101 | HUB CAP | 190 Husqvarna | 2 | |
| 41 | 501715501 | BELT COVER | Belt cover 53 cm | 1 | |
| 42 | 578295101 | SLEEVE | For engine screws, Plastic chassis | 4 | |
| 43 | 582022801 | REINFORCEMENT PLATE | Chassis 53 cm | 2 | |
| 44 | 594099001 | COVER | 53cm electric | 1 | |
| 45 | 595007210 | BLADE | | 1 | |
| 46 | 734116441 | WASHER | SRKB 8.4/25X2 | 1 | |
| 47 | 579684201 | SPRING WASHER | | 1 | |
| 48 | 725245571 | SCREW EHHM | M8x30 8.8 ZPB | 1 | |

C LC353iV
BLADE



| REF. | PART NO. | DESCRIPTION | REMARK | QTY. | KIT |
|------|-----------|---------------|------------------------------------|------|-----|
| 1 | 590531404 | POWER UNIT | Powerhead Unit | 1 | |
| 2 | 504466801 | WASHER | 10.5x22x2 BRB ZPB | 4 | 1 |
| 3 | 725250271 | SCREW EHHM | M10x55 8.8 ZPB,ISO 4017 | 4 | 1 |
| 4 | 578295101 | SLEEVE | For engine screws, Plastic chassis | 4 | |
| 5 | 596602201 | BLADE SUPPORT | Transmission system | 1 | |
| 6 | 594075710 | BLADE | | 1 | |
| 7 | 734116441 | WASHER | SRKB 8.4/25X2 | 1 | |
| 8 | 579684201 | SPRING WASHER | | 1 | |
| 9 | 725245571 | SCREW EHHM | M8x30 8.8 ZPB | 1 | |

GPL®