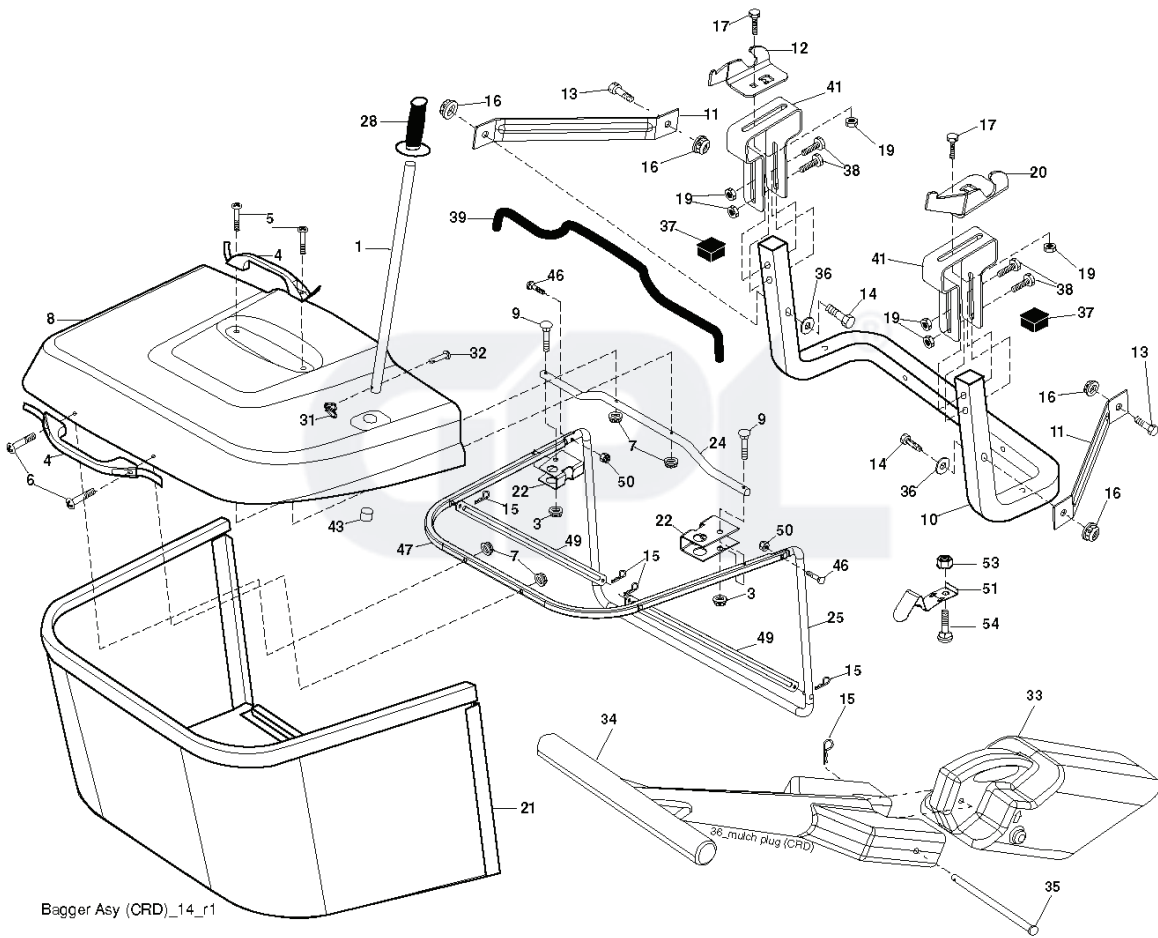


M200107HRB, 96061022802, 2010-07

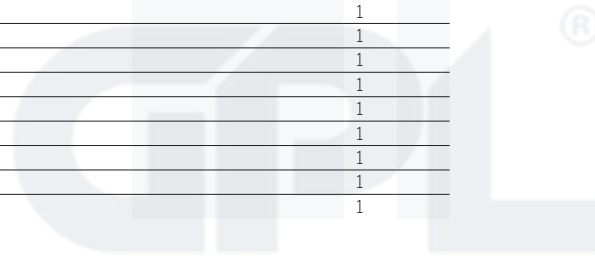


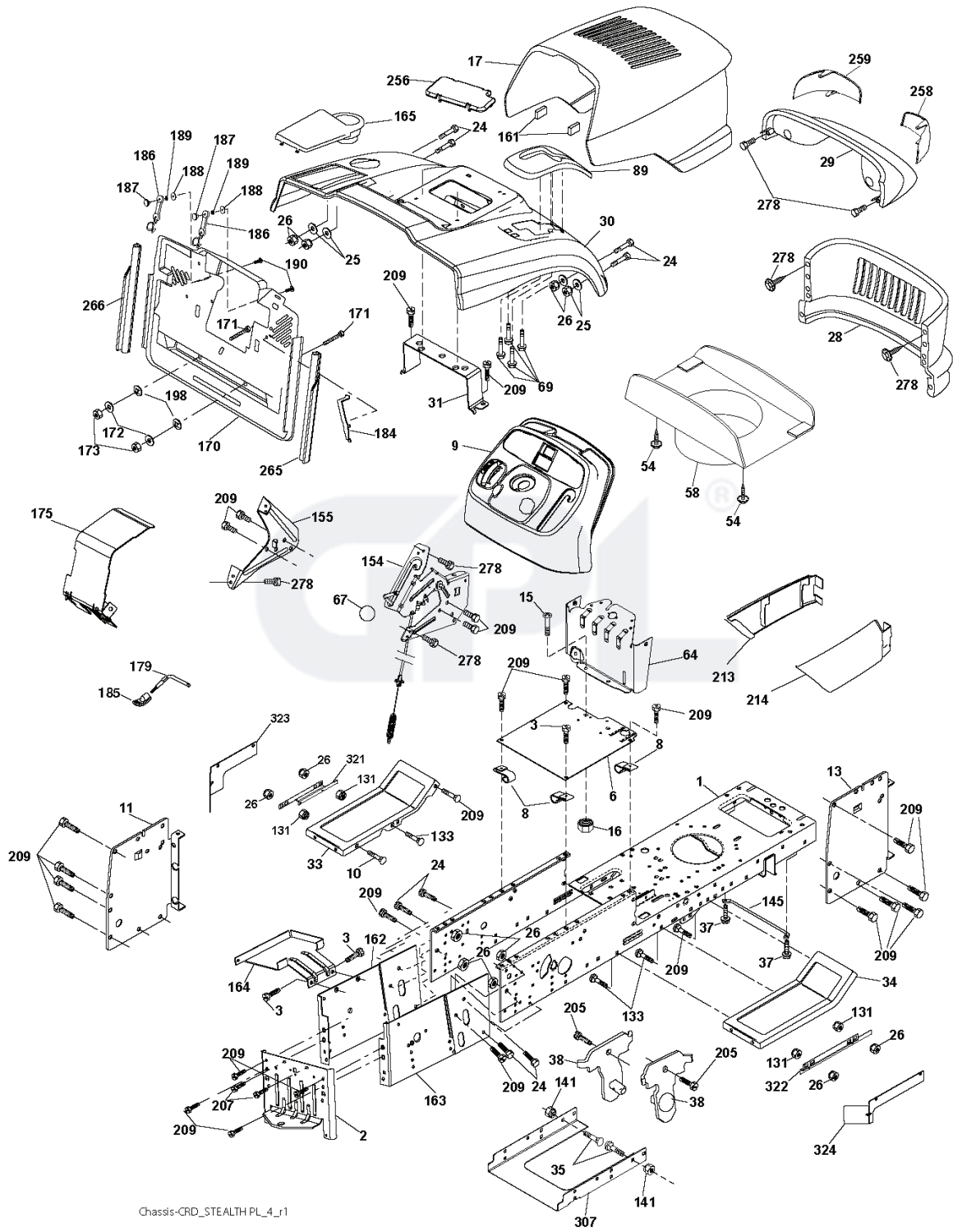
SPARE PARTS LIST



Bagger Asy (CRD)_14_r1

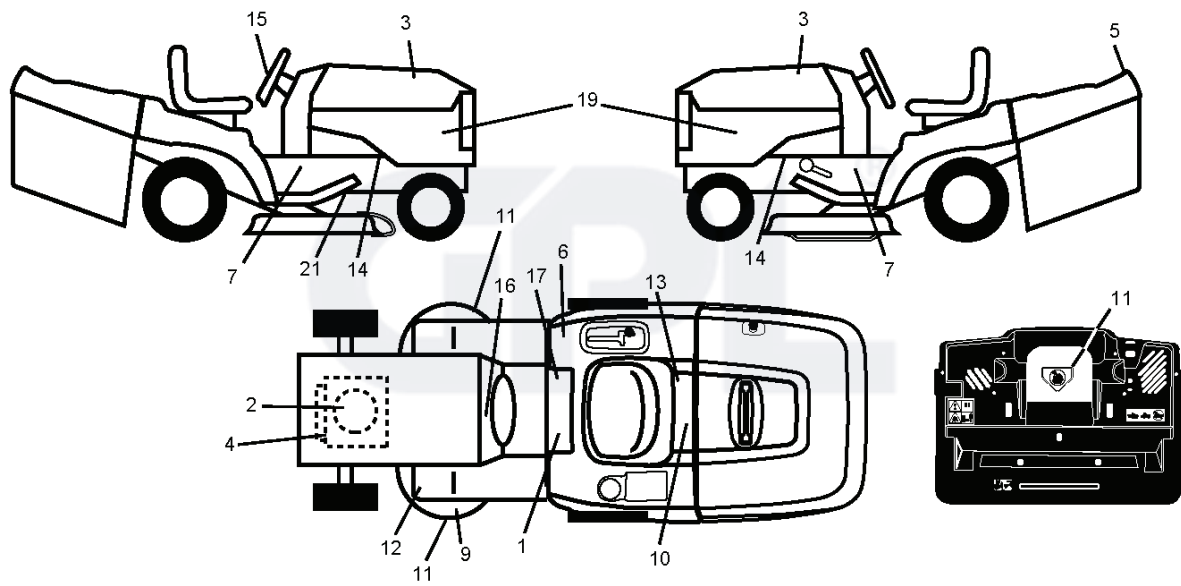
| REF. | PART NO. | DESCRIPTION | REMARK | QTY. | KIT |
|------|-----------|-----------------------------|--------|------|-----|
| 1 | 532428610 | TUBE | | 1 | |
| 3 | 532123976 | LOCKNUT | | 1 | |
| 4 | 532169916 | HANDLE | | 1 | |
| 5 | 874981024 | SCREW | | 1 | |
| 6 | 874981032 | SCREW | | 1 | |
| 7 | 873401000 | NUT | | 1 | |
| 8 | 532182514 | COUVERCLERPL.PAR 169963X428 | | 1 | |
| 9 | 872140418 | BOLT | | 1 | |
| 10 | 532181282 | TUBE | | 1 | |
| 11 | 532165719 | ROD | | 1 | |
| 12 | 532188848 | BRACKET | | 1 | |
| 13 | 874760612 | BOLT | | 1 | |
| 14 | 874520636 | BOLT | | 1 | |
| 15 | 532124670 | RETAINER RING | | 1 | |
| 16 | 873900600 | NUT | | 1 | |
| 17 | 872140506 | BOLT | | 1 | |
| 19 | 873900500 | NUT | | 1 | |
| 20 | 532188847 | BRACKET | | 1 | |
| 21 | 532406180 | COLLECTION BAG | | 1 | |
| 22 | 532165781 | CLAMP | | 1 | |
| 24 | 532165783 | FRAME | | 1 | |
| 25 | 532193705 | PIPE | | 1 | |
| 28 | 532165787 | HANDLE | | 1 | |
| 31 | 532169484 | PIN | | 1 | |
| 32 | 532126875 | RIVET | | 1 | |
| 33 | 532428683 | MULCH PLUG | | 1 | |
| 34 | 532165570 | HANDLE | | 1 | |
| 35 | 532165572 | PIN RETAINING SCREW | | 1 | |
| 36 | 819132012 | WASHER | | 1 | |
| 37 | 532175401 | PLUG | | 1 | |
| 38 | 872010520 | BOLT | | 1 | |
| 39 | 532416257 | SEALING | | 1 | |
| 41 | 532169683 | BRACKET | | 1 | |
| 43 | 532174083 | PLUG | | 1 | |
| 46 | 872110510 | BOLT | | 1 | |
| 47 | 532193704 | PIPE | | 1 | |
| 49 | 532193305 | ROD | | 1 | |
| 50 | 873800500 | LOCK NUT | | 1 | |
| 51 | 532199903 | LATCH | | 1 | |
| 53 | 873510400 | NUT | | 1 | |
| 54 | 872140406 | BOLT | | 1 | |





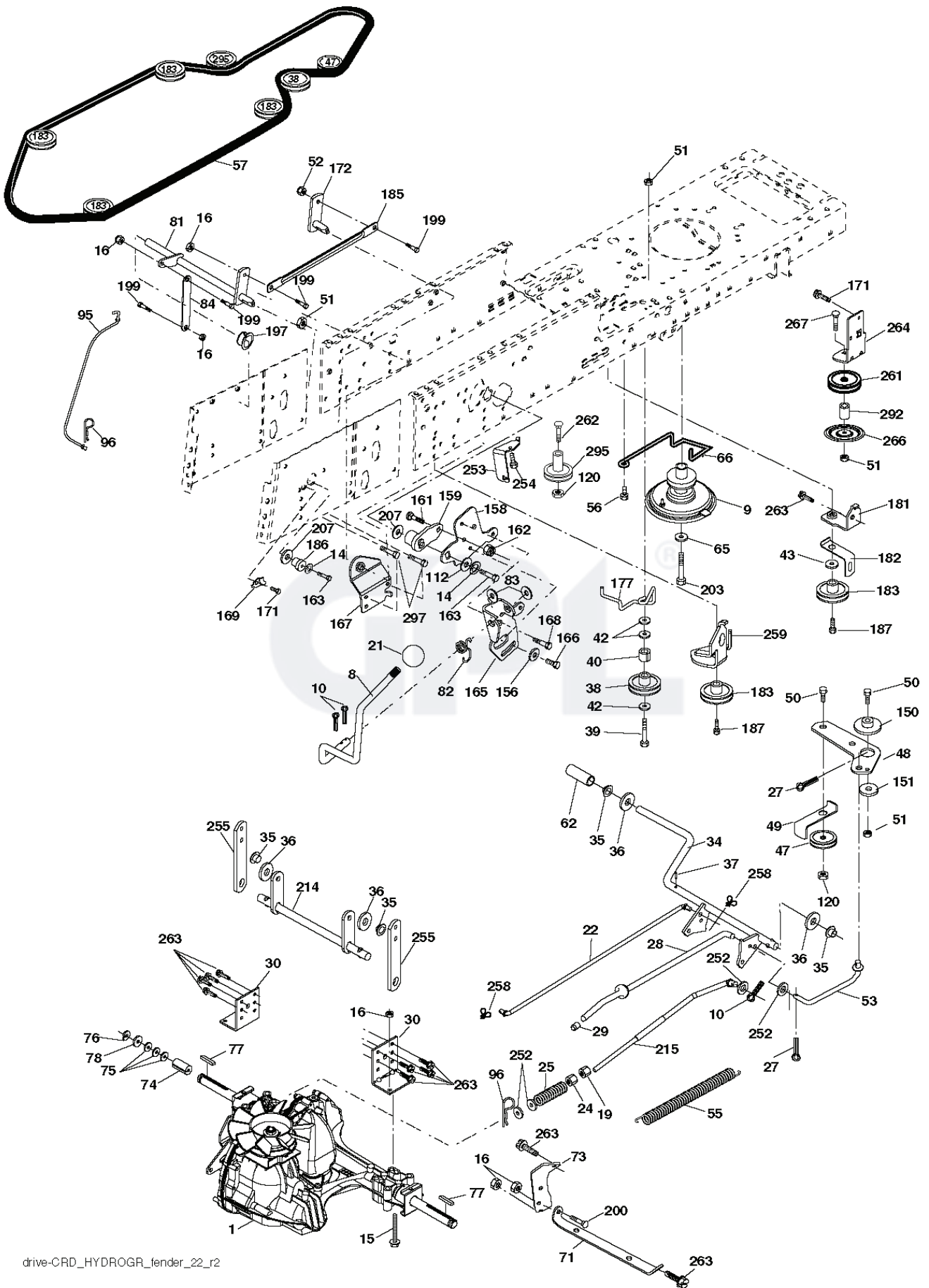
Chassis-CRD_STEALTH_PL_4_r1

| REF. | PART NO. | DESCRIPTION | REMARK | QTY. | KIT |
|------|-----------|-------------------------------|--------|------|-----|
| 1 | 532174620 | CHASSIS | | 1 | |
| 2 | 532180384 | DRAWBAR | | 1 | |
| 3 | 817060612 | SCREW | | 1 | |
| 6 | 532184419 | PLATE | | 1 | |
| 8 | 532126471 | CLIP | | 1 | |
| 9 | 532195646 | DASH | | 1 | |
| 10 | 872140610 | BOLT | | 1 | |
| 11 | 532167203 | PLATE | | 1 | |
| 13 | 532167202 | PLATE | | 1 | |
| 15 | 874180512 | SCREW | | 1 | |
| 16 | 873510500 | NUT | | 1 | |
| 17 | 532194976 | DASH | | 1 | |
| 24 | 874780616 | BOLT | | 1 | |
| 25 | 819131312 | WASHER | | 1 | |
| 26 | 873800600 | NUT | | 1 | |
| 28 | 532187114 | CALANDRE*RPL.PAR 532175289428 | | 1 | |
| 29 | 532179763 | SUPPORT*RPL.PAR 532182885 | | 1 | |
| 30 | 532197364 | FENDER | | 1 | |
| 31 | 532165156 | BRACKET | | 1 | |
| 33 | 532179716 | FOOTREST | | 1 | |
| 34 | 532179717 | FOOTREST | | 1 | |
| 35 | 872110606 | BOLT | | 1 | |
| 37 | 817490508 | SCREW | | 1 | |
| 38 | 532181748 | BRACKET | | 1 | |
| 54 | 532192512 | SCREW | | 1 | |
| 58 | 532190308 | CONDUCTOR | | 1 | |
| 64 | 532199395 | PANEL | | 1 | |
| 67 | 532106932 | KNOB | | 1 | |
| 69 | 532142432 | SCREW | | 1 | |
| 89 | 532197366 | BRACKET | | 1 | |
| 131 | 873220600 | NUT | | 1 | |
| 133 | 872110608 | BOLT | | 1 | |
| 141 | 873900600 | NUT | | 1 | |
| 145 | 532409167 | ROD | | 1 | |
| 154 | 532194828 | BRACKET | | 1 | |
| 155 | 532183926 | BRACKET | | 1 | |
| 161 | 532164655 | ABSORBER | | 1 | |
| 162 | 532180382 | BRACKET | | 1 | |
| 163 | 532180383 | BRACKET | | 1 | |
| 164 | 532165605 | SUPPORT | | 1 | |
| 165 | 532181356 | COVER | | 1 | |
| 170 | 532199488 | COVER | | 1 | |
| 171 | 872140620 | BOLT | | 1 | |
| 172 | 819132016 | WASHER | | 1 | |
| 173 | 873510600 | NUT | | 1 | |
| 175 | 532188203 | DOOR TRAP | | 1 | |
| 179 | 532188202 | ROD PIVOT FBI | | 1 | |
| 184 | 532174662 | BRACKET | | 1 | |
| 185 | 532181101 | KNOB | | 1 | |
| 186 | 532160793 | LATCH | | 1 | |
| 187 | 532125004 | NUT | | 1 | |
| 188 | 819061216 | WASHER | | 1 | |
| 189 | 810071000 | WASHER | | 1 | |
| 190 | 871081010 | SCREW | | 1 | |
| 198 | 532168937 | WASHER | | 1 | |
| 205 | 817490608 | SCREW | | 1 | |
| 207 | 817670508 | SCREW | | 1 | |
| 209 | 817000612 | SCREW | | 1 | |
| 213 | 532187112 | JUPE*RPL.PAR 532169848428 | | 1 | |
| 214 | 532187111 | JUPE DE CAPOT DROIT | | 1 | |
| 256 | 532181361 | COVER | | 1 | |
| 258 | 532161842 | LENS | | 1 | |
| 259 | 532161841 | LENS | | 1 | |
| 265 | 532185704 | SEALING | | 1 | |
| 266 | 532185703 | SEALING | | 1 | |
| 278 | 532416358 | SCREW | | 1 | |
| 307 | 532425125 | SHIELD | | 1 | |
| 309 | 872110606 | BOLT | | 1 | |
| 321 | 532430309 | SHIELD | | 1 | |
| 322 | 532431014 | SHIELD | | 1 | |
| 323 | 532432400 | PLATE | | 1 | |
| 324 | 532432401 | PLATE | | 1 | |
| -- | 532400944 | FRONT BUMPER *SUBS/2* | | 1 | |



| REF. | PART NO. | DESCRIPTION | REMARK | QTY. | KIT |
|------|-----------|-------------|--------|------|-----|
| 1 | 532400389 | LABEL | | 1 | |
| 2 | 532429561 | DECAL | | 1 | |
| 3 | 532431235 | DECAL | | 1 | |
| 4 | 532196841 | DECAL | | 1 | |
| 5 | 532416651 | DECAL | | 1 | |
| 6 | 532180432 | DECAL | | 1 | |
| 7 | 532401146 | DECAL | | 1 | |
| 9 | 532187811 | DECAL | | 1 | |
| 10 | 532145005 | DECAL | | 1 | |
| 11 | 532182166 | DECAL | | 1 | |
| 12 | 532159737 | DECAL | | 1 | |
| 13 | 532166960 | DECAL | | 1 | |
| 14 | 532159736 | DECAL | | 1 | |
| 15 | 532424236 | DECAL | | 1 | |
| 16 | 532194606 | DECAL | | 1 | |
| 17 | 532140837 | DECAL | | 1 | |
| 19 | 532433580 | DECAL | | 1 | |
| 21 | 532166286 | DECAL | | 1 | |
| -- | 532181091 | PLATE | | 1 | |
| -- | 532181090 | PLATE | | 1 | |
| -- | | | | 1 | |



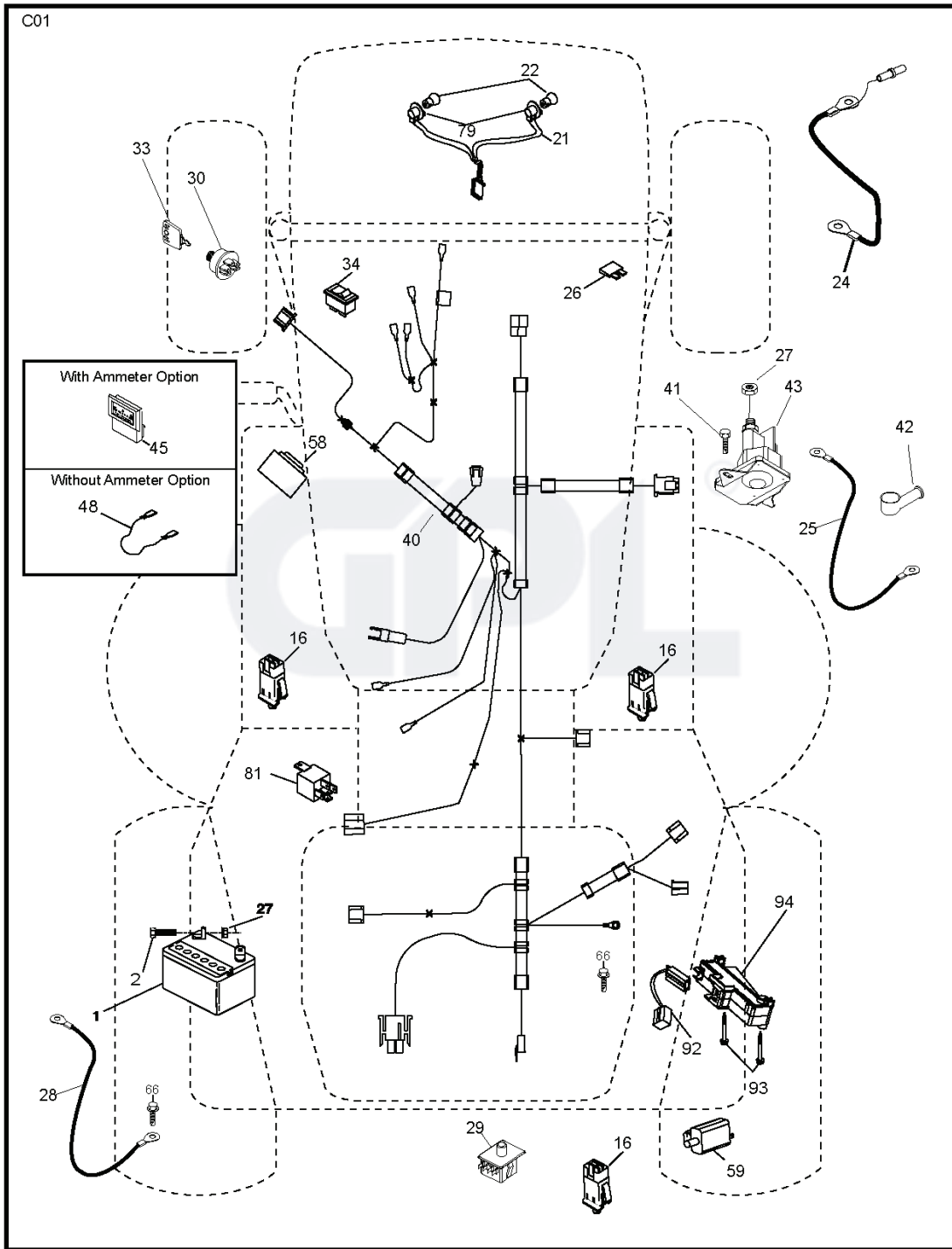


| REF. | PART NO. | DESCRIPTION | REMARK | QTY. | KIT |
|------|-----------|------------------------|--|------|-----|
| 1 | 000000000 | W/O DESCRIPTION | Transaxle Hydro Gear 321-0510 (Internal Parts Not Available) | 1 | |
| 8 | 532192706 | LEVER | | 1 | |
| 9 | 532408579 | CLUTCH | | 1 | |
| 10 | 876020416 | SPLIT PIN | | 1 | |
| 14 | 810040400 | WASHER | | 1 | |
| 15 | 874490544 | SCREW | | 1 | |
| 16 | 873800500 | LOCK NUT | | 1 | |
| 19 | 873800600 | NUT | | 1 | |
| 21 | 532140845 | KNOB | | 1 | |
| 22 | 532175607 | ROD | | 1 | |
| 24 | 873350600 | NUT | | 1 | |
| 25 | 532192036 | SPRING | | 1 | |
| 27 | 876020412 | SPLIT PIN | | 1 | |
| 28 | 532175765 | SHAFT | | 1 | |
| 29 | 532071673 | COVER | | 1 | |
| 30 | 532169592 | BRACKET | | 1 | |
| 34 | 532175578 | SHAFT | | 1 | |
| 35 | 532120183 | BEARING | | 1 | |
| 36 | 819211616 | WASHER | | 1 | |
| 37 | 532124963 | PIN RETAINING SCREW | | 1 | |
| 38 | 532165936 | PULLEY | | 1 | |
| 39 | 874760644 | BOLT | | 1 | |
| 40 | 532124965 | SPACER | | 1 | |
| 42 | 819131312 | WASHER | | 1 | |
| 43 | 819111012 | WASHER | | 1 | |
| 47 | 532127783 | PULLEY | | 1 | |
| 48 | 532154407 | GUIDE | | 1 | |
| 49 | 532123205 | BELT GUIDE | | 1 | |
| 50 | 872110612 | BOLT | | 1 | |
| 51 | 873680600 | NUT | | 1 | |
| 52 | 873680500 | NUT | | 1 | |
| 53 | 532199652 | TIGE DE TENSION POULIE | | 1 | |
| 55 | 532105709 | SPRING | | 1 | |
| 56 | 817060620 | SCREW | | 1 | |
| 57 | 532170140 | BELT | | 1 | |
| 62 | 532124872 | PEDAL RUBBER | | 1 | |
| 65 | 810040700 | WASHER | | 1 | |
| 66 | 532154778 | TENSIONER | | 1 | |
| 71 | 532169183 | ROD | | 1 | |
| 73 | 532169182 | BRACKET | | 1 | |
| 74 | 532137057 | SPACER | | 1 | |
| 75 | 532121749 | WASHER | | 1 | |
| 76 | 812000001 | RETAINER RING | | 1 | |
| 77 | 532123583 | KEY | | 1 | |
| 78 | 532121748 | WASHER | | 1 | |
| 81 | 532170006 | SHAFT | | 1 | |
| 82 | 532165711 | SPRING | | 1 | |
| 83 | 819171216 | WASHER | | 1 | |
| 84 | 532170007 | LINK | | 1 | |
| 95 | 532170015 | LINK | | 1 | |
| 96 | 532124788 | RETAINER RING | | 1 | |
| 112 | 819091210 | WASHER | | 1 | |
| 120 | 873900600 | NUT | | 1 | |
| 150 | 532165850 | BUSHING | | 1 | |
| 151 | 819133210 | WASHER | | 1 | |
| 156 | 532166002 | WASHER | | 1 | |
| 158 | 532165589 | BRACKET | | 1 | |
| 159 | 532183900 | LEVER | | 1 | |
| 161 | 872140406 | BOLT | | 1 | |
| 162 | 873680400 | NUT | | 1 | |
| 163 | 874780416 | BOLT | | 1 | |
| 165 | 532165623 | BRACKET | | 1 | |
| 166 | 817490510 | SCREW | | 1 | |
| 167 | 532165588 | BRACKET | | 1 | |
| 168 | 532165492 | BOLT | | 1 | |
| 169 | 532165580 | RETAINER | | 1 | |
| 171 | 817490608 | SCREW | | 1 | |
| 172 | 532170271 | LINK | | 1 | |
| 177 | 532165932 | HOLDER | | 1 | |
| 181 | 532180211 | BRACKET | | 1 | |
| 182 | 532182682 | BELT GUIDE | | 1 | |
| 183 | 532199534 | PULLEY | | 1 | |
| 185 | 532170008 | LINK | | 1 | |
| 186 | 532165614 | HUB | | 1 | |
| 187 | 817580520 | BOLT | | 1 | |
| 197 | 532169613 | SLEEVE | | 1 | |

| REF. | PART NO. | DESCRIPTION | REMARK | QTY. | KIT |
|------|-----------|-------------|--------|------|-----|
| 199 | 532169612 | SCREW | | 1 | |
| 200 | 872140508 | BOLT | | 1 | |
| 203 | 871170780 | BOLT | | 1 | |
| 207 | 532169845 | WASHER | | 1 | |
| 214 | 532175609 | LEVER | | 1 | |
| 215 | 532175652 | ROD | | 1 | |
| 252 | 819131616 | WASHER | | 1 | |
| 253 | 532175028 | BRACKET | | 1 | |
| 254 | 817000616 | SCREW | | 1 | |
| 255 | 532175608 | SHAFT | | 1 | |
| 258 | 532178062 | CLIP | | 1 | |
| 259 | 532180212 | BRACKET | | 1 | |
| 261 | 532131494 | PULLEY | | 1 | |
| 262 | 872110622 | BOLT | | 1 | |
| 263 | 817000612 | SCREW | | 1 | |
| 264 | 532431174 | BRACKET | | 1 | |
| 292 | 532426913 | SPACER | | 1 | |
| 266 | 532182061 | PROTECTOR | | 1 | |
| 267 | 872140626 | BOLT | | 1 | |
| 295 | 532179114 | PULLEY | | 1 | |
| 297 | 817490610 | SCREW | | 1 | |

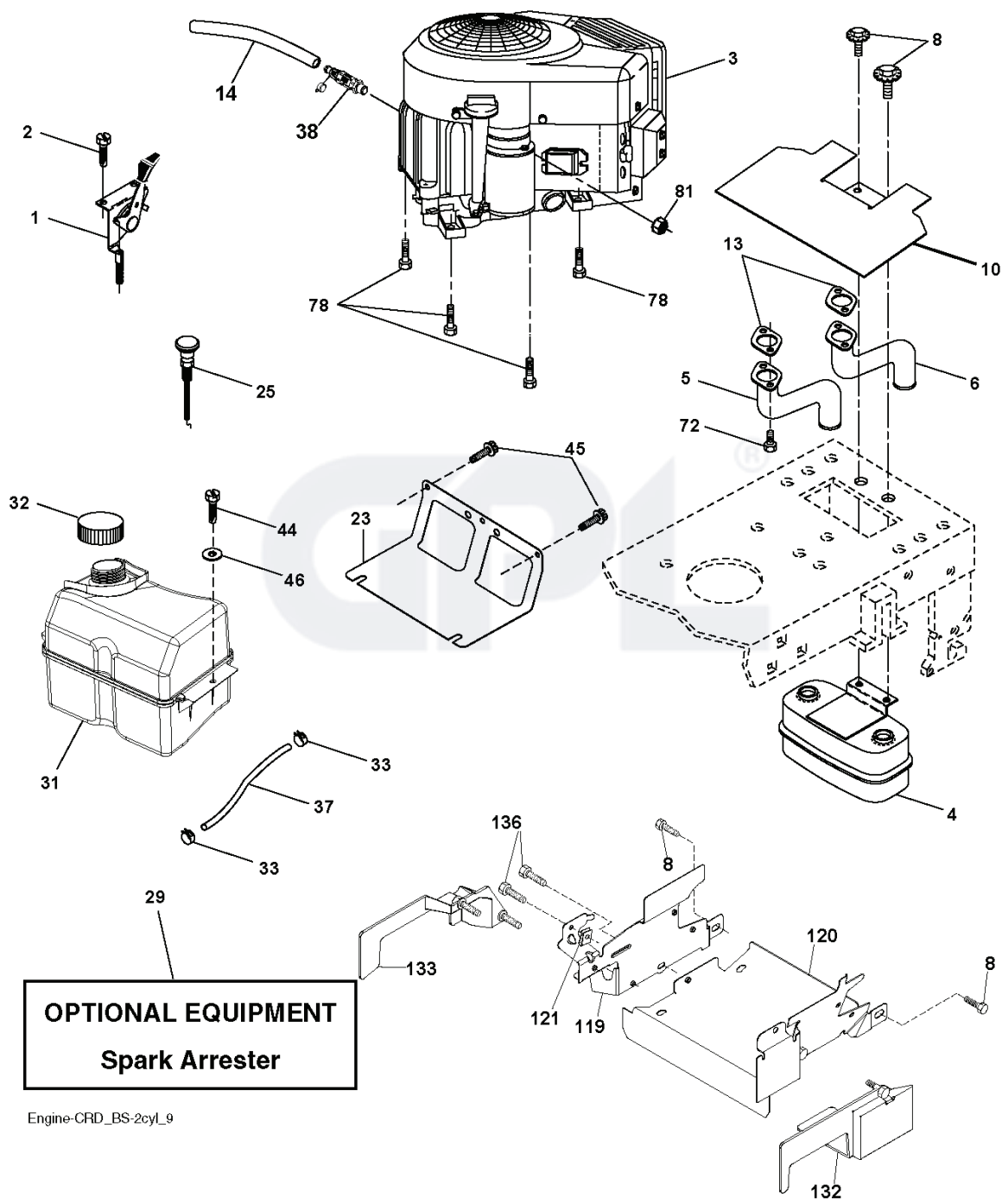


C01



| REF. | PART NO. | DESCRIPTION | REMARK | QTY. | KIT |
|------|-----------|------------------------|--------|------|-----|
| 1 | 532163465 | BATTERY | | 1 | |
| 2 | 874760412 | BOLT | | 1 | |
| 16 | 532176138 | MICRO SWITCH | | 1 | |
| 21 | 532175688 | HARNESS | | 1 | |
| 22 | 532004152 | BULB | | 1 | |
| 24 | 532165987 | CABLE | | 1 | |
| 25 | 532421299 | CABLE | | 1 | |
| 26 | 532175158 | FUSE | | 1 | |
| 27 | 873510400 | NUT | | 1 | |
| 28 | 532127725 | CABLE | | 1 | |
| 29 | 532192749 | SWITCH.SEAT.DP W/RAMPS | | 1 | |
| 30 | 532193350 | IGNITION MODULE | | 1 | |
| 33 | 532411935 | KEY | | 1 | |
| 34 | 532110712 | SWITCH | | 1 | |
| 40 | 532197436 | CABLE ASSY | | 1 | |
| 41 | 871110408 | BOLT | | 1 | |
| 42 | 532131563 | COVER | | 1 | |
| 43 | 532192507 | SOLENOID | | 1 | |
| 48 | 532140844 | ADAPTER | | 1 | |
| 58 | 532169419 | BUZZER | | 1 | |
| 59 | 532180379 | SWITCH FBI | | 1 | |
| 66 | 817490608 | SCREW | | 1 | |
| 79 | 532175242 | HOLDER | | 1 | |
| 81 | 532109748 | RELAY | | 1 | |
| 92 | 532196615 | CABLE ASSY | | 1 | |
| 93 | 532192540 | SCREW | | 1 | |
| 94 | 532191834 | MODULE.REVERSE.ROS | | 1 | |



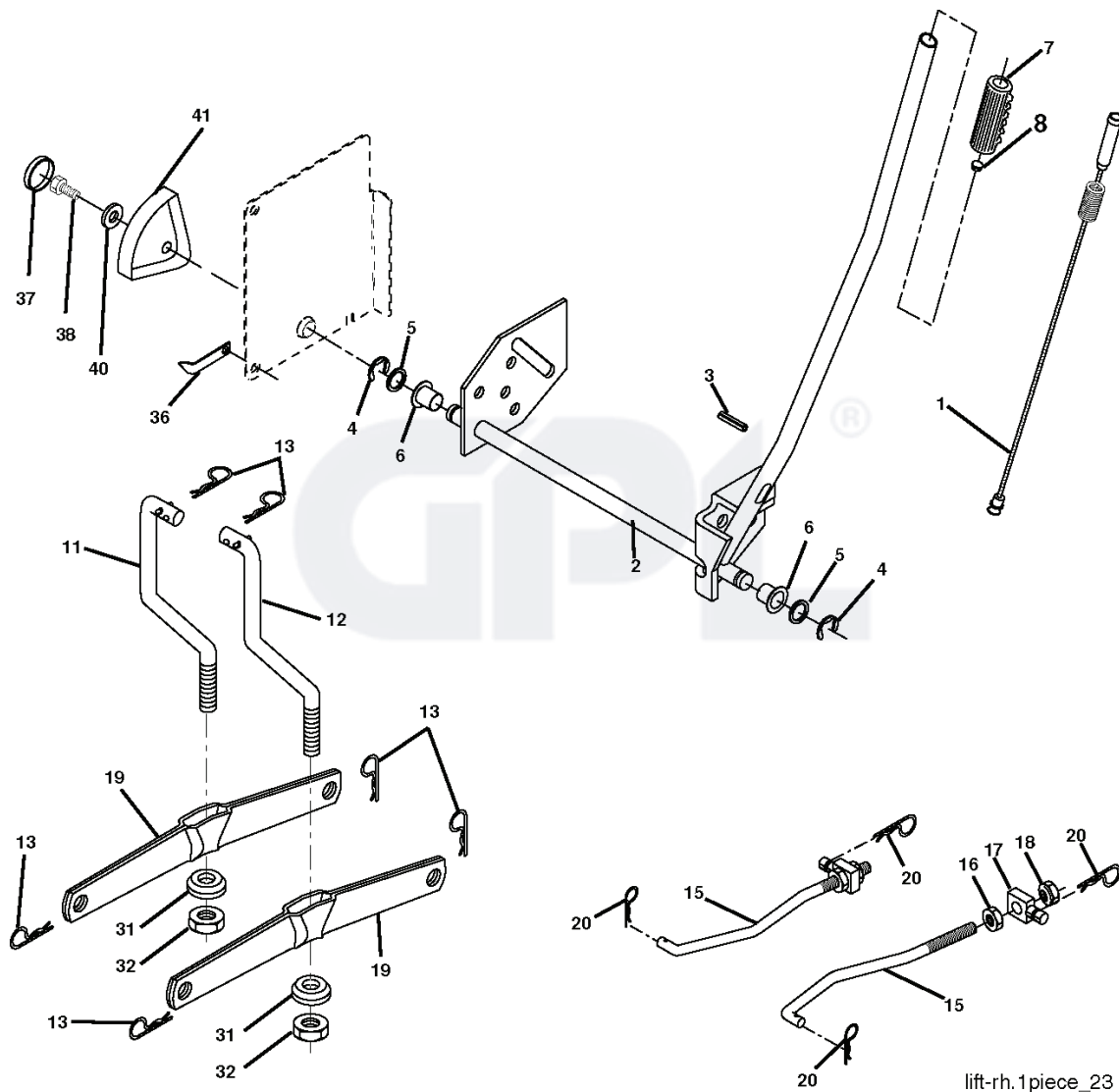


OPTIONAL EQUIPMENT
Spark Arrester

Engine-CRD_BS-2cyl_9

| REF. | PART NO. | DESCRIPTION | REMARK | QTY. | KIT |
|------|-----------|---------------------------|--|------|-----|
| 1 | 532178385 | THROTTLE TRIGGER | | 1 | |
| 2 | 532416358 | SCREW | | 1 | |
| 3 | 000000000 | W/O DESCRIPTION | Engine B&S Model 406777-1271-B1 (Order Parts from Engine Manufacturer) | 1 | |
| 4 | 532149723 | MUFFLER | | 1 | |
| 5 | 532160589 | TUBE | | 1 | |
| 6 | 532159955 | TUBE | | 1 | |
| 8 | 532171877 | BOLT | | 1 | |
| 10 | 532146629 | HEAT SHIELD | | 1 | |
| 13 | 532165391 | GASKET | | 1 | |
| 14 | 532148456 | TUBE | | 1 | |
| 23 | 532169837 | HEAT SHIELD | | 1 | |
| 25 | 532191596 | COMMA*RPLPAR 532187767428 | | 1 | |
| 29 | 532137180 | SPARK ARRESTER KIT | | 1 | |
| 31 | 532407551 | FUEL TANK | | 1 | |
| 32 | 532430220 | FUEL CAP | | 1 | |
| 33 | 532123487 | HOSE CLAMP | | 1 | |
| 37 | 532137040 | HOSE | | 1 | |
| 38 | 532428287 | PLUG | | 1 | |
| 44 | 817670412 | SCREW | | 1 | |
| 45 | 817000612 | SCREW | | 1 | |
| 46 | 819091416 | WASHER | | 1 | |
| 72 | 532183906 | SCREW | | 1 | |
| 78 | 817060620 | SCREW | | 1 | |
| 81 | 873510400 | NUT | | 1 | |
| 119 | 532199768 | * LENKRAD | | 1 | |
| 120 | 532199767 | GUARD | | 1 | |
| 121 | 532196688 | NUT | | 1 | |
| 132 | 532420757 | SHIELD | | 1 | |
| 133 | 532420756 | SHIELD | | 1 | |
| 136 | 532137729 | SCREW | | 1 | |

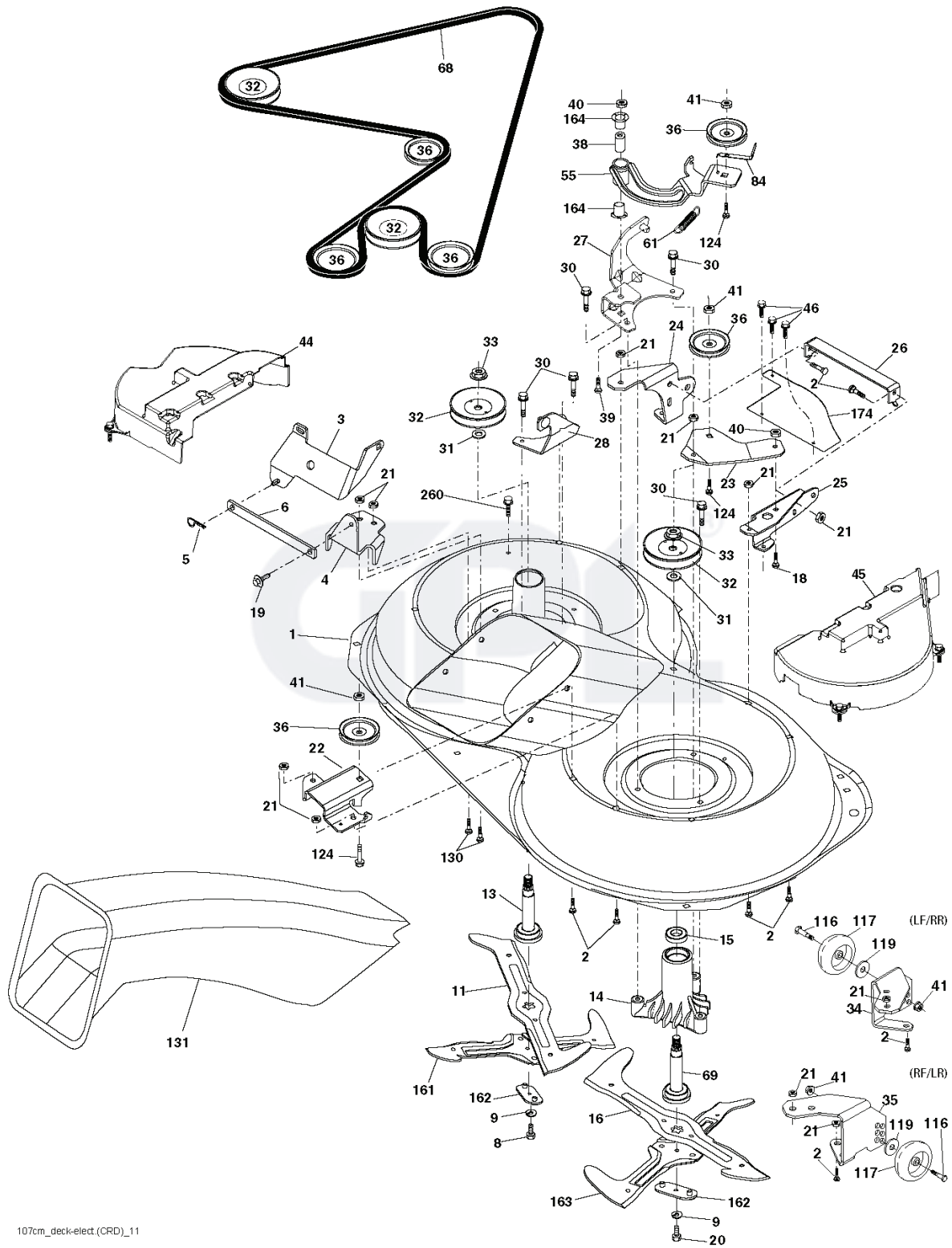
GPL®



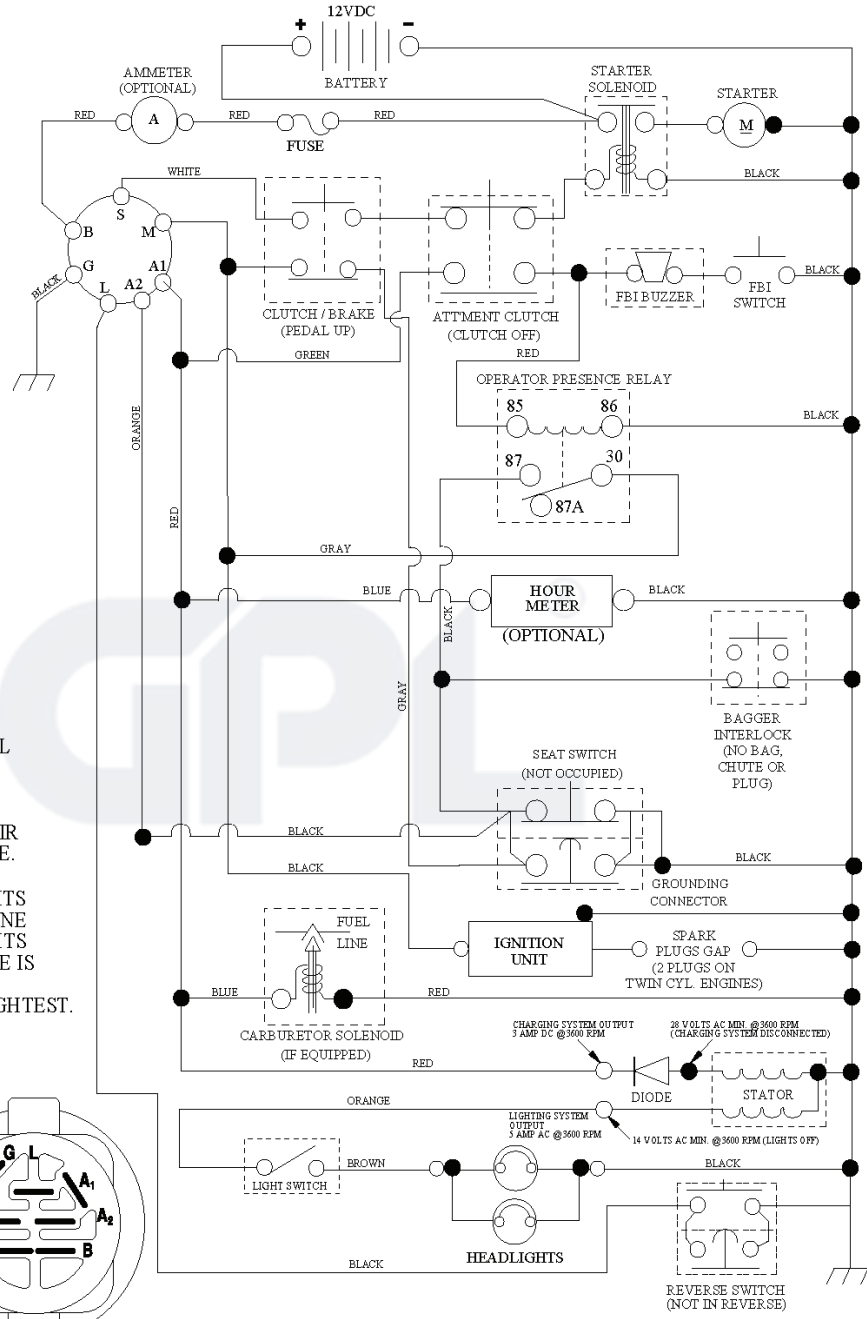
lift-rh.1piece_23

| REF. | PART NO. | DESCRIPTION | REMARK | QTY. | KIT |
|------|-----------|---------------|--------|------|-----|
| 1 | 532405007 | PLUNGE | | 1 | |
| 2 | 532198070 | SHAFT | | 1 | |
| 3 | 532188822 | GROOVED PIN | | 1 | |
| 4 | 812000002 | RETAINER RING | | 1 | |
| 5 | 819211621 | WASHER | | 1 | |
| 6 | 532120183 | BEARING | | 1 | |
| 7 | 532109413 | GRIP | | 1 | |
| 8 | 532124526 | KNOB | | 1 | |
| 11 | 532165829 | ROD | | 1 | |
| 12 | 532165831 | ROD | | 1 | |
| 13 | 532124670 | RETAINER RING | | 1 | |
| 15 | 532173288 | LINK | | 1 | |
| 16 | 873350800 | NUT | | 1 | |
| 17 | 532175689 | BRACKET | | 1 | |
| 18 | 873800800 | NUT | | 1 | |
| 19 | 532139868 | LEVER | | 1 | |
| 20 | 532194209 | SPRING | | 1 | |
| 31 | 532169865 | BEARING | | 1 | |
| 32 | 873540600 | NUT | | 1 | |
| 36 | 532155097 | INDICATOR | | 1 | |
| 37 | 532123935 | PLUG | | 1 | |
| 38 | 817060516 | SCREW | | 1 | |
| 40 | 819112410 | WASHER | | 1 | |
| 41 | 532123934 | INDICATOR | | 1 | |

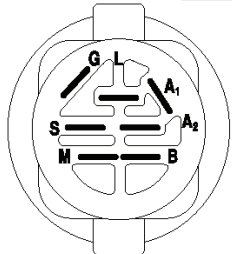
GPL®



| REF. | PART NO. | DESCRIPTION | REMARK | QTY. | KIT |
|------|-----------|--------------------|--------|------|-----|
| 1 | 532169160 | HOUSING | | 1 | |
| 2 | 872140506 | BOLT | | 1 | |
| 3 | 532431864 | BRACKET | | 1 | |
| 4 | 532169167 | BRACKET | | 1 | |
| 5 | 532124670 | RETAINER RING | | 1 | |
| 6 | 532165557 | ROD | | 1 | |
| 8 | 532181712 | BOLT | | 1 | |
| 9 | 810030600 | WASHER | | 1 | |
| 11 | 532180583 | BLADE | | 1 | |
| 13 | 532137645 | SHAFT | | 1 | |
| 14 | 532128774 | BEARING HOUSING | | 1 | |
| 15 | 532110485 | BEARING | | 1 | |
| 16 | 532180584 | BLADE | | 1 | |
| 18 | 872110606 | BOLT | | 1 | |
| 19 | 532132827 | SPEC. BOLT | | 1 | |
| 20 | 532181713 | BOLT | | 1 | |
| 21 | 873680500 | NUT | | 1 | |
| 22 | 532169165 | BRACKET | | 1 | |
| 23 | 532169166 | BRACKET | | 1 | |
| 24 | 532413436 | BRACKET | | 1 | |
| 25 | 532400105 | BRACKET | | 1 | |
| 26 | 532400110 | SUPPORT | | 1 | |
| 27 | 532169172 | BRACKET | | 1 | |
| 28 | 532169168 | BRACKET | | 1 | |
| 30 | 532173984 | SCREW | | 1 | |
| 31 | 532187690 | WASHER | | 1 | |
| 32 | 532198145 | PULLEY | | 1 | |
| 33 | 532400234 | NUT | | 1 | |
| 34 | 532400103 | BRACKET | | 1 | |
| 35 | 532400104 | BRACKET | | 1 | |
| 36 | 532146763 | PULLEY | | 1 | |
| 38 | 532169851 | SPACER | | 1 | |
| 39 | 872110622 | BOLT | | 1 | |
| 40 | 873680600 | NUT | | 1 | |
| 41 | 873900600 | NUT | | 1 | |
| 44 | 532432404 | COVER | | 1 | |
| 45 | 532432405 | COVER | | 1 | |
| 46 | 532137729 | SCREW | | 1 | |
| 55 | 532169849 | LEVER | | 1 | |
| 61 | 532199487 | SPRING | | 1 | |
| 68 | 532402009 | BELT | | 1 | |
| 69 | 532165482 | SHAFT | | 1 | |
| 84 | 532156085 | BELT GUIDE | | 1 | |
| 116 | 532193406 | BOLT | | 1 | |
| 117 | 532174873 | WHEEL | | 1 | |
| 119 | 819132012 | WASHER | | 1 | |
| 124 | 872110612 | BOLT | | 1 | |
| 130 | 872110506 | BOLT | | 1 | |
| 131 | 532165661 | PIPE | | 1 | |
| 161 | 532180424 | BLADE | | 1 | |
| 162 | 532180878 | ADAPTER | | 1 | |
| 163 | 532180425 | BLADE | | 1 | |
| 164 | 532124937 | BEARING COL. STRG. | | 1 | |
| 174 | 532400240 | PLATE | | 1 | |
| 260 | 817670608 | SCREW | | 1 | |
| -- | 532181857 | BEARING HOUSING | | 1 | |
| -- | 532181858 | BEARING HOUSING | | 1 | |
| -- | 532431783 | CUTTING DECK | | 1 | |



NOTE
 YOUR TRACTOR IS EQUIPPED WITH A SPECIAL ALTERNATOR SYSTEM. THE LIGHTS ARE NOT CONNECTED TO THE BATTERY, BUT HAVE THEIR OWN ELECTRICAL SOURCE. BECAUSE OF THIS, THE BRIGHTNESS OF THE LIGHTS WILL CHANGE WITH ENGINE SPEED. AT IDLE THE LIGHTS WILL DIM. AS THE ENGINE IS SPEEDED UP, THE LIGHTS WILL BECOME THEIR BRIGHTEST.

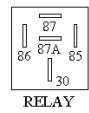


IGNITION SWITCH

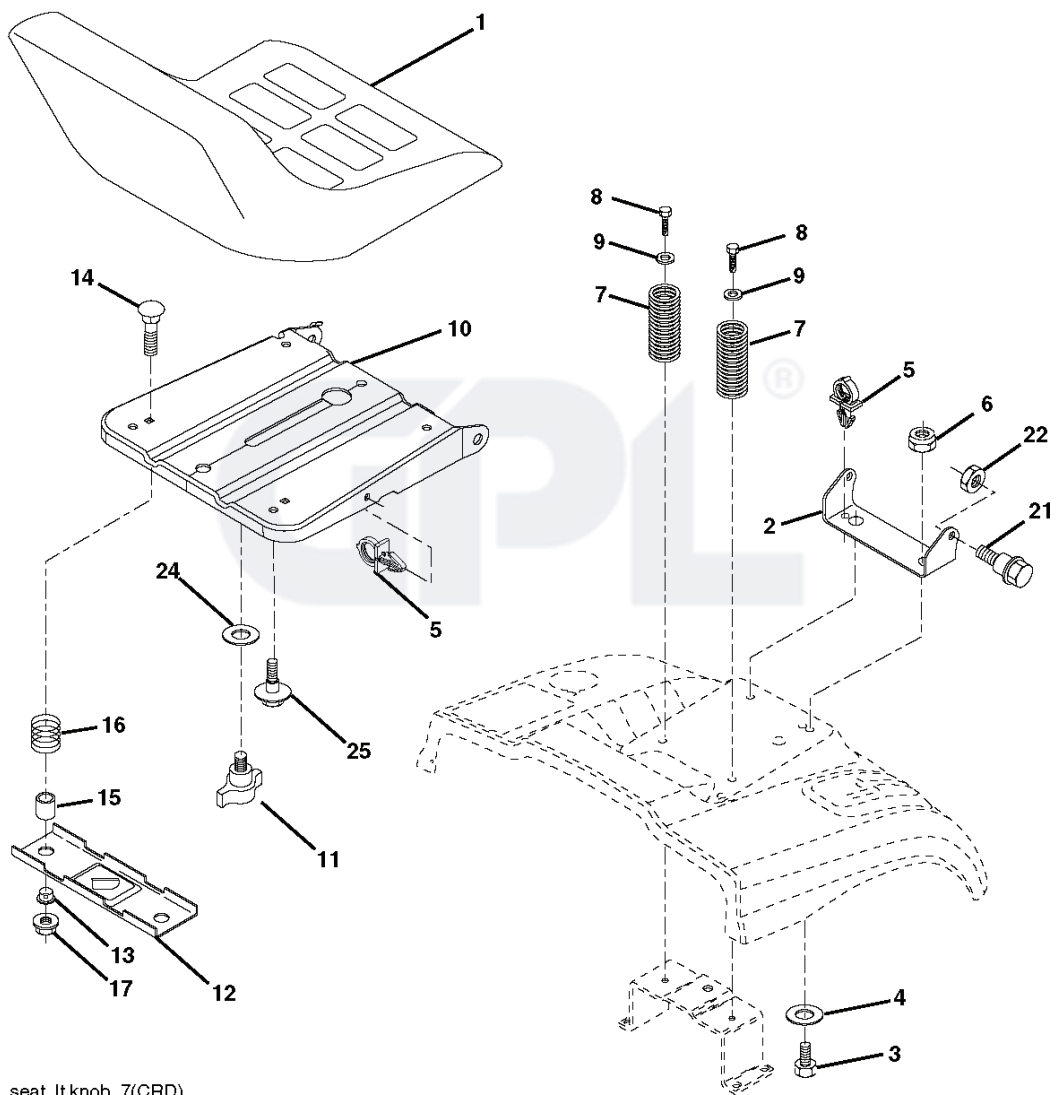
| POSITION | CIRCUIT "MAKE" |
|--------------|----------------|
| OFF | M+G+A1 |
| RUN/OVERRIDE | B+A1 |
| RUN | B+A1 L+A2 |
| START | B + S + A1 |

WIRING INSULATED CLIPS
 NOTE: IF WIRING INSULATED CLIPS WERE REMOVED FOR SERVICING OF UNIT, THEY SHOULD BE RE-INSTALLED TO PROPERLY SECURE YOUR WIRING.

REMOVABLE CONNECTIONS
NON-REMOVABLE CONNECTIONS



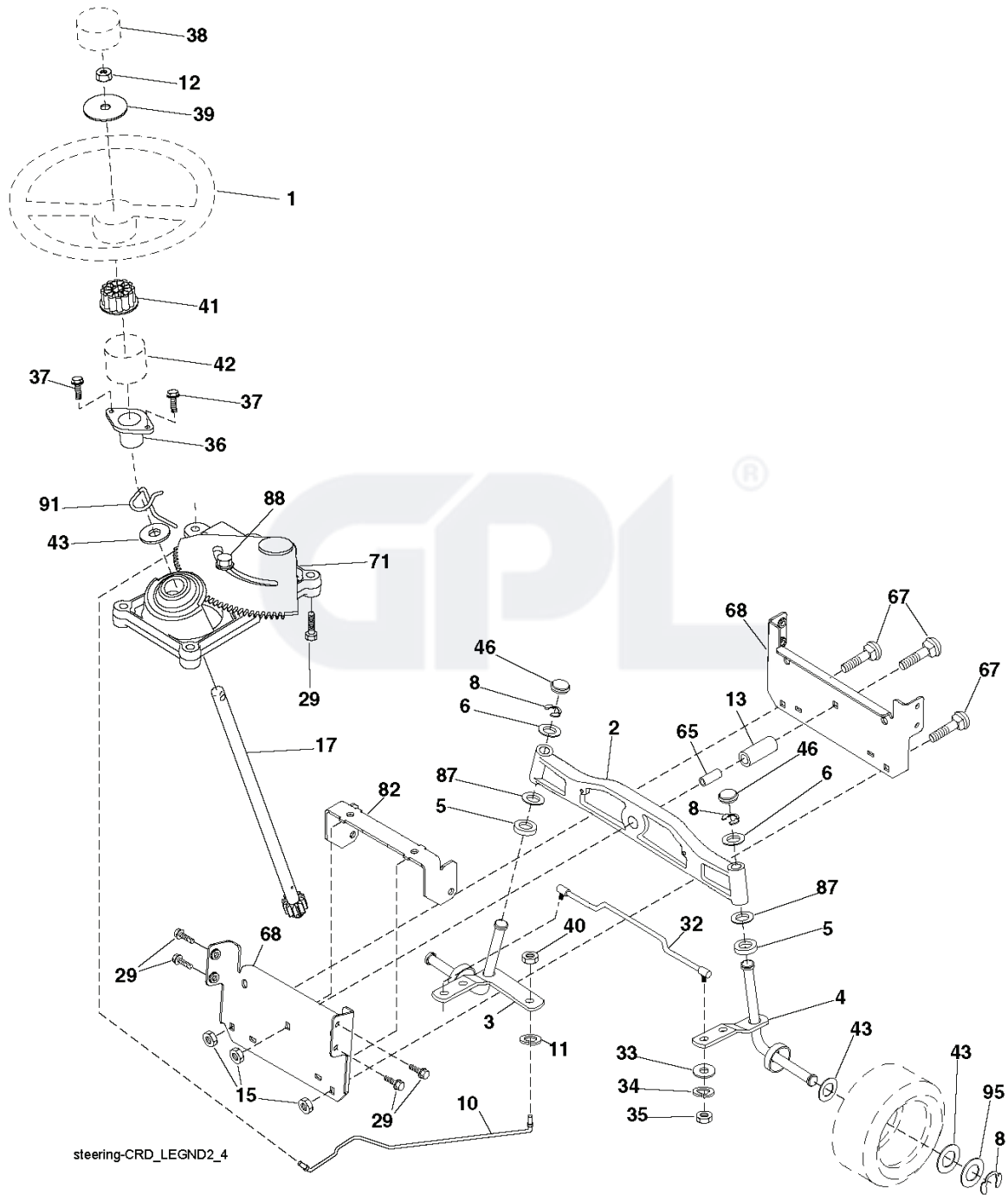
RELAY



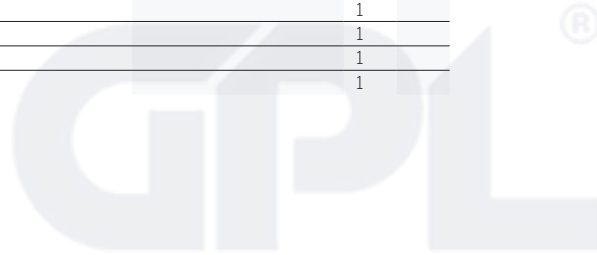
seat_lt.knob_7(CRD)

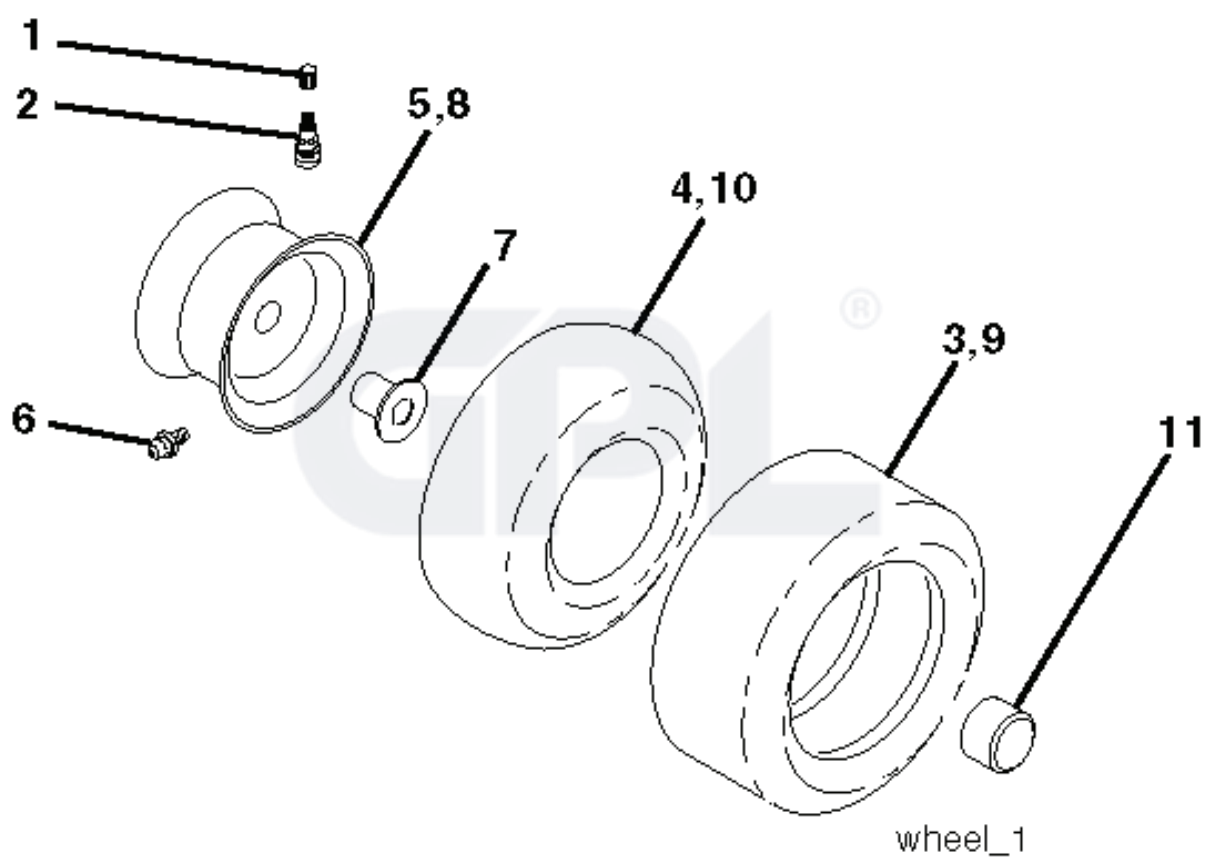
| REF. | PART NO. | DESCRIPTION | REMARK | QTY. | KIT |
|------|-----------|-----------------------------|--------|------|-----|
| 1 | 532188713 | SEAT | | 1 | |
| 2 | 532140551 | BRACKET | | 1 | |
| 3 | 871110616 | SCREW | | 1 | |
| 4 | 819131610 | WASHER | | 1 | |
| 5 | 532145006 | CLIP | | 1 | |
| 6 | 873800600 | NUT | | 1 | |
| 7 | 532124181 | SPRING | | 1 | |
| 8 | 817000616 | SCREW | | 1 | |
| 9 | 819131614 | WASHER | | 1 | |
| 10 | 532195530 | BERCEAU DE SIEGE CONDUCTEUR | | 1 | |
| 11 | 532166369 | WING NUT | | 1 | |
| 12 | 532174648 | BRACKET | | 1 | |
| 13 | 532121248 | BUSHING | | 1 | |
| 14 | 872050412 | BOLT | | 1 | |
| 15 | 532134300 | SPACER | | 1 | |
| 16 | 532121250 | SPRING | | 1 | |
| 17 | 532123976 | LOCKNUT | | 1 | |
| 21 | 532171852 | BOLT | | 1 | |
| 22 | 873800500 | LOCK NUT | | 1 | |
| 24 | 819171912 | WASHER | | 1 | |
| 25 | 532127018 | BOLT | | 1 | |





| REF. | PART NO. | DESCRIPTION | REMARK | QTY. | KIT |
|------|-----------|----------------------|--------|------|-----|
| 1 | 532424146 | STEERING WHEEL | | 1 | |
| 2 | 532184706 | SHAFT | | 1 | |
| 3 | 532169840 | SPINDLE | | 1 | |
| 4 | 532169839 | SPINDLE | | 1 | |
| 5 | 532124931 | WASHER | | 1 | |
| 6 | 532121748 | WASHER | | 1 | |
| 8 | 812000029 | RETAINER RING | | 1 | |
| 10 | 532175121 | ROD | | 1 | |
| 11 | 810040600 | WASHER | | 1 | |
| 12 | 873940800 | NUT | | 1 | |
| 13 | 532136518 | PIPE | | 1 | |
| 15 | 532145212 | NUT | | 1 | |
| 17 | 532177883 | SHAFT | | 1 | |
| 29 | 817000612 | SCREW | | 1 | |
| 32 | 532170162 | ROD | | 1 | |
| 33 | 819111216 | WASHER | | 1 | |
| 34 | 810040500 | WASHER | | 1 | |
| 35 | 873540500 | NUT | | 1 | |
| 36 | 532155105 | BUSHING | | 1 | |
| 37 | 532152927 | SCREW | | 1 | |
| 38 | 532424691 | INSERT | | 1 | |
| 39 | 819183812 | WASHER | | 1 | |
| 40 | 873540600 | NUT | | 1 | |
| 41 | 532186737 | ADAPTER | | 1 | |
| 42 | 532177149 | BOOT | | 1 | |
| 43 | 532121749 | WASHER | | 1 | |
| 46 | 532121232 | HUB CAP | | 1 | |
| 65 | 532414736 | SPACER | | 1 | |
| 67 | 872110618 | BOLT | | 1 | |
| 71 | 532175146 | STEERING GEAR | | 1 | |
| 68 | 532169827 | SHAFT | | 1 | |
| 82 | 532199978 | SUPPORT ESSIEU AVANT | | 1 | |
| 87 | 532173966 | WASHER | | 1 | |
| 88 | 532175118 | BOLT | | 1 | |
| 91 | 532175553 | SPRING | | 1 | |
| 95 | 532188967 | WASHER | | 1 | |





| REF. | PART NO. | DESCRIPTION | REMARK | QTY. | KIT |
|------|-----------|--------------|--------|------|-----|
| 1 | 532059192 | CAP VALVE | | 1 | |
| 2 | 532065139 | NIPPLE | | 1 | |
| 3 | 532106222 | TIRE | | 1 | |
| 4 | 532059904 | HOSE | | 1 | |
| 5 | 532125121 | RIM | | 1 | |
| 6 | 532124957 | FITTING | | 1 | |
| 7 | 532124959 | BEARING | | 1 | |
| 8 | 532125122 | RIM | | 1 | |
| 9 | 532138468 | TIRE | | 1 | |
| 10 | 532124926 | HOSE | | 1 | |
| 11 | 532175039 | HUB CAP | | 1 | |
| -- | 532144334 | SEALING FOAM | | 1 | |
| | PART NO. | | REMARK | | KIT |

